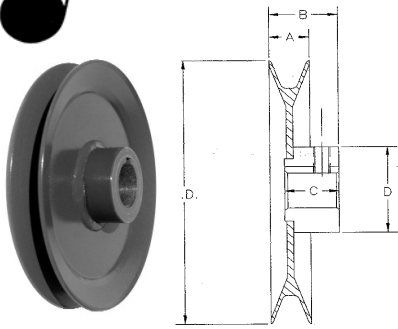
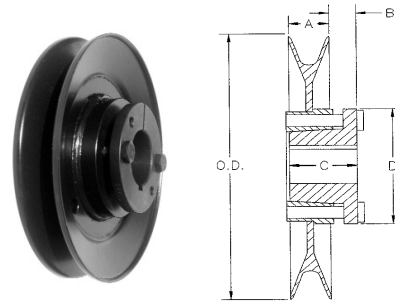


**Made-To-Order  
Split Steel Sheaves  
For OEM Quantities**



**Bored to Size Sheave**



**HQ Bushed Sheave**

When it comes to durability and a great price, Maurey Manufacturing's comprehensive line of split steel sheaves offers end users the best of both worlds. A strong precision weld provides a superior bond between the sheave and its machined hub. All hubs are also precision bored and keyed from solid steel, thus offering excellent field performance for many years. These sheaves meet the high market demand for a product that is very economical; stronger than our welded two-piece stamped steel sheaves, yet does not require the rugged cast iron construction of our standard sheave line. This product is ideal for OEM applications in Air Movement, compressors, outdoor power equipment and in most other applications where light duty bored to size sheaves are used. The sizes shown below are readily available in OEM quantities. Contact us now at 1-800-284-2161 to discover how these sheaves can save your company money.

**Minimum Quantity 100 Pieces or More**

Examples of Some Available Sizes Below (Call the Factory for Lead Time)								
Split Steel Part Number	Cast Iron Equivalent	Sheave Type	Belt Section	Outside Diameter	Dimensions in Inches			
					A	B	C	D
SSAK32	AK32/AC33	Bored to Size	A	3.25	3/4	1-5/16	1	*
SSAK39	AK39/AC38	Bored to Size	A	3.75	3/4	1-5/16	1	*
SSAK41	AK41/AC40	Bored to Size	A	4.00	3/4	1-5/16	1	*
SSAK46	AK46/AC45	Bored to Size	A	4.50	3/4	1-5/16	1	*
SSAK49	AK49/AC48	Bored to Size	A	4.75	3/4	1-5/16	1	*
SSAK51	AK51/AC50	Bored to Size	A	5.00	3/4	1-5/16	1	*
SSAK56	AK56/AC55	Bored to Size	A	5.45	3/4	1-5/16	1	*
SSAK59	AK59/AC58	Bored to Size	A	5.75	3/4	1-5/16	1	*
SSAK64	AK64/AC63	Bored to Size	A	6.25	3/4	1-5/16	1	*
SSAK66	AK66/AC65	Bored to Size	A	6.45	3/4	1-5/16	1	*
SSBK47	BK47/BC45	Bored to Size	B	4.50	7/8	1-3/8	1	*
SSBK52	BK52/BC50	Bored to Size	B	4.95	7/8	1-3/8	1	*
SSBK54	BK54/BC52	Bored to Size	B	5.15	7/8	1-3/8	1	*
SSBK57	BK57/BC55	Bored to Size	B	5.45	7/8	1-3/8	1	*
SSBK60	BK60/BC58	Bored to Size	B	5.75	7/8	1-3/8	1	*
SSAK46H	AK46H/AH45	HQ Bushed	A	4.50	3/4	1/2	1-1/4	2-1/2
SSAK49H	AK49H/AH48	HQ Bushed	A	4.75	3/4	1/2	1-1/4	2-1/2
SSAK51H	AK51H/AH50	HQ Bushed	A	5.00	3/4	1/2	1-1/4	2-1/2
SSAK56H	AK56H/AH55	HQ Bushed	A	5.45	3/4	1/2	1-1/4	2-1/2
SSAK59H	AK59H/AH58	HQ Bushed	A	5.75	3/4	1/2	1-1/4	2-1/2
SSAK64H	AK64H/AH63	HQ Bushed	A	6.25	3/4	1/2	1-1/4	2-1/2
SSAK66H	AK66H/AH65	HQ Bushed	A	6.45	3/4	1/2	1-1/4	2-1/2
SSBK47H	BK47H/BH45	HQ Bushed	B	4.50	7/8	7/16	1-1/4	2-1/2
SSBK52H	BK52H/BH50	HQ Bushed	B	4.95	7/8	7/16	1-1/4	2-1/2
SSBK54H	BK54H/BH52	HQ Bushed	B	5.15	7/8	7/16	1-1/4	2-1/2
SSBK57H	BK57H/BH55	HQ Bushed	B	5.45	7/8	7/16	1-1/4	2-1/2
SSBK60H	BK60H/BH58	HQ Bushed	B	5.75	7/8	7/16	1-1/4	2-1/2

\* D = 1-1/4" for 5/16", 1/2", 5/8" bores. D = 1-1/2" for 3/4" bore. D = 1-3/4" for 7/8" and 1" bores.

**MAUREY MANUFACTURING IS YOUR SOURCE FOR BOTH  
CAST IRON AND SPLIT STEEL SHEAVES!!!**