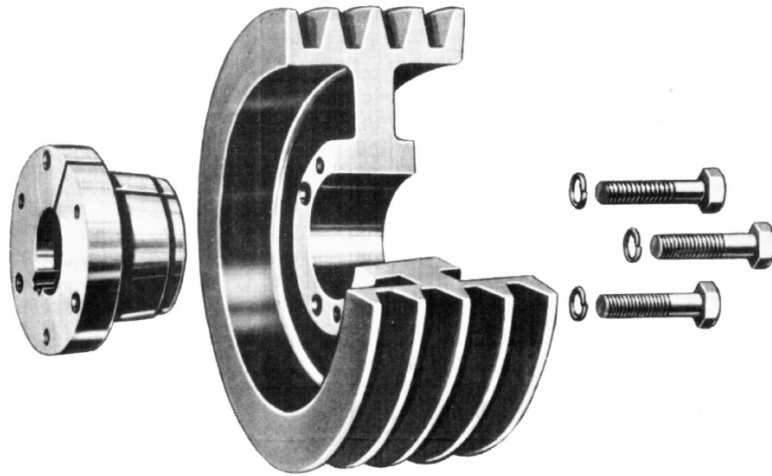


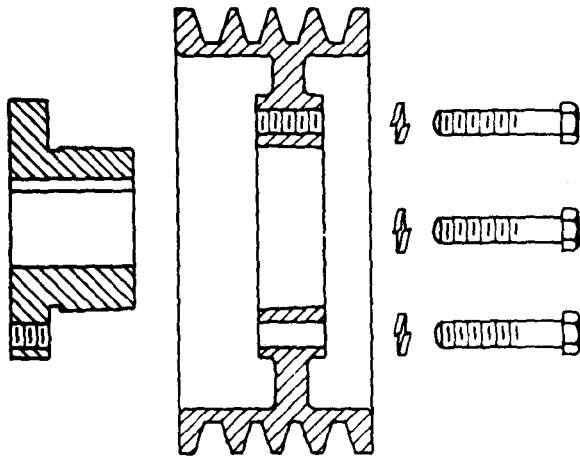


MULTI-V FUL-GRIP SHEAVES AND BUSHINGS

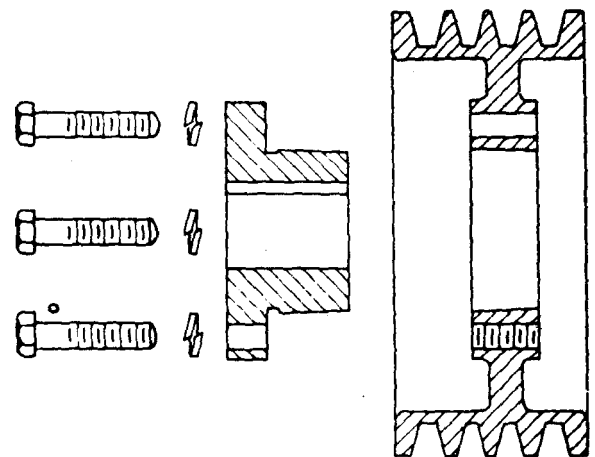


FUL-GRIP (QD) BUSHINGS FUL-GRIP (QD) SHEAVES STANDARD MULTI-V SHEAVES SPECIAL MADE-TO-ORDER SHEAVES

Industry puts Maurey sheaves on more drives every year simply because it pays to do so. Machined from close-grained, grey iron castings and statically balanced to MPTA standards, these sheaves will stand up to hard service and provide smooth, quiet-running, belt-saving performance. However, please note that cast iron sheaves cannot exceed 6500 feet per a minute rim speed. Also, special or dynamic balancing should be considered when rim speeds exceed 5000 feet per a minute. Maurey sheaves are available in stock sizes for B, C, D section belts. Maurey also offers special made-to-order items for B, C, D section belts as well. The Ful-Grip bushing system is Maurey's answer to the need for sheaves that are installed, removed, and interchanged with the ultimate in ease and speed. With tapered bores to slip easily over flanged and detachable bushings, tapered to match the rims, Ful-Grips are the adaptability champions. Installation instructions on page 19 show how easily Ful-Grips make it possible to retain the bushing and change the sheave to suit speed, or retain the sheave and change the bushing to fit a different shaft size.



STANDARD MOUNTING ASSEMBLY
Fig. 1



REVERSE MOUNTING ASSEMBLY
Fig. 2

INSTALLATION AND REMOVAL OF SHEAVES

INSTALLATION

1. Make sure the bore of the sheave and the tapered cone surface of the bushing are free of all the foreign substances such as paint, dirt, lubricants, etc. Do not use lubricants on installation.
2. Assemble bushings and sheave as shown above in Figures 1 and 2, whichever applies. With cap screws loosely inserted, the bushing remains fully expanded to assume a sliding fit on the shaft. Note: When installing bushings M thru S, locate the extra holes in the hub as far as possible from the bushing's saw cut in order to reduce the possibility of bushing flange breakage. CAUTION: Do not use lubricants on screw threads or tapered surfaces
3. With key on shaft, slide sheave assembly to its desired position with cap screw heads on outside. (Exception: Some shaft lengths may require the sheaves to be reversed with the cap screw heads to the inside - see Figure 2.)
4. Line up the sheave assembly and tighten cap screws evenly and progressively to the torque value listed in the table. Never allow the sheave to be drawn in contact with the bushing flange. There should be a gap of 1/8" to 1/4" between the sheave hub and the bushing flange. If the gap is closed, the shaft is seriously undersize.
5. Tighten the set screw to hold the key securely on the shaft during operation.

CAUTION: When mounting a "FUL-GRIP" bushing, the tightening force of the screws is multiplied many times by the wedging action of the tapered surface. This action compresses the bushing for a snug fit on the shaft. If extreme screw tightening force or lubricants are applied in mounting the "FUL-GRIP" bushing, bursting pressures will be created in the hub of the mounted sheave which may cause it to crack.

Refer to the recommended torque ratings

REMOVAL

1. Loosen and remove cap screws.
2. Insert cap screws in tapered removal holes and starting with bolt farthest from sawnut on bushing, tighten evenly and progressively until sheave is loose on bushing. If sheaves in Figure 2 are installed with cap screw heads next to motor, loosen cap screws and use a wedge between the bushing and the sheave.
3. Remove sheave and bushing

CAUTION: Excessive or unequal pressure on the jack screws can break the bushing flange

Bushing	Wrench Torque (In.-Lbs)	Wrench Length (Inches)	Wrench Pull (Pounds)
JA	60	4	15
SH	108	4	27
SDS	108	4	27
SDS	108	4	27
SK	180	6	30
SF	360	6	60
E	720	12	60
F	900	12	75
J	1620	12	135
M	2700	15	180
N	3600	15	240
P	5400	18	300
W	7200	24	300
S	9000	30	300

D stock sheave dimensions conventional v-belt drives

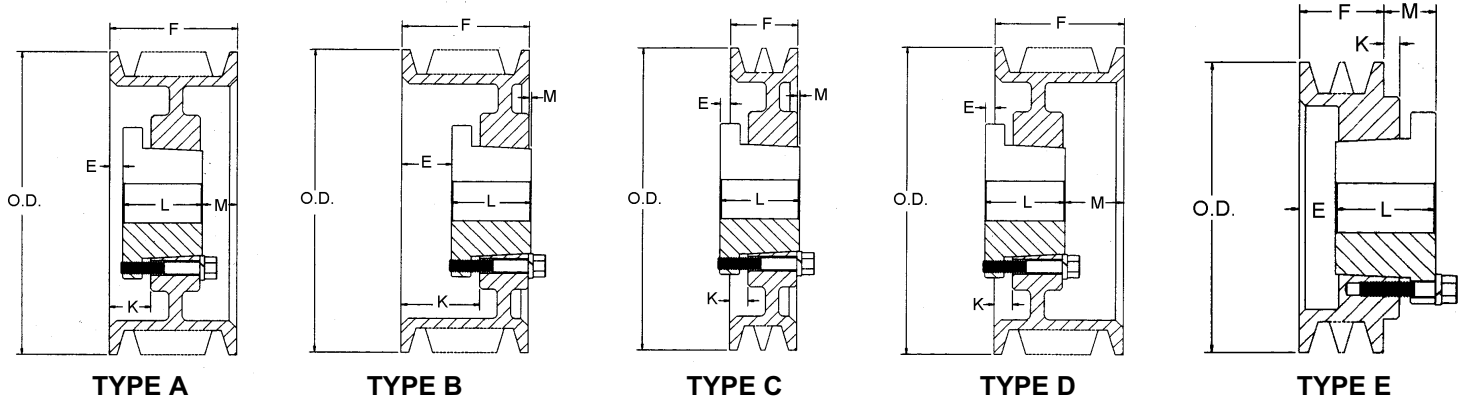


Figure Following Letter in Column Headed "TYPE" in Table Below Indicates Sheave Construction
1 - Solid, No Web. 2 - Web. 3 - Arms

O.D.	DATUM DIAMETER	3 GROOVE									4 GROOVE								
		PART NUMBER	LIST** PRICE	F = 4-5/8						PART NUMBER	LIST** PRICE	F = 6-1/16							
				E*	TYPE	BUSH.	K	L	M*			WT. LBS	E*	TYPE	BUSH.	K	L	M*	WT. LBS
12.6	12.0	3D12.0	\$ 560.00	7/16	A2	F	1-1/2	3-5/8	9/16	70	4D12.0	\$ 600.00	1-1/4	A2	F	2-5/16	3-5/8	1-3/16	80
13.6	13.0	3D13.0	\$ 600.00	7/16	A2	F	1-1/2	3-5/8	9/16	74	4D13.0	\$ 640.00	1-1/4	A2	F	2-5/16	3-5/8	1-3/16	86
14.1	13.5	3D13.5	\$ 620.00	7/16	A2	F	1-1/2	3-5/8	9/16	77	4D13.5	\$ 660.00	1-1/4	A2	F	2-5/16	3-5/8	1-3/16	90
14.6	14.0	3D14.0	\$ 640.00	7/16	A2	F	1-1/2	3-5/8	9/16	80	4D14.0	\$ 680.00	1-1/4	A2	F	2-5/16	3-5/8	1-3/16	94
15.1	14.5	3D14.5	\$ 680.00	7/16	A2	F	1-1/2	3-5/8	9/16	84	4D14.5	\$ 780.00	1-1/4	A2	F	2-5/16	3-5/8	1-3/16	98
15.6	15.0	3D15.0	\$ 720.00	7/16	A2	F	1-1/2	3-5/8	9/16	90	4D15.0	\$ 800.00	1-1/4	A2	F	2-5/16	3-5/8	1-3/16	102
16.1	15.5	3D15.5	\$ 740.00	7/16	A2	F	1-1/2	3-5/8	9/16	91	4D15.5	\$ 820.00	1-1/4	A2	F	2-5/16	3-5/8	1-3/16	104
16.6	16.0	3D16.0	\$ 760.00	7/16	A2	F	1-1/2	3-5/8	9/16	95	4D16.0	\$ 840.00	1-1/4	A2	F	2-5/16	3-5/8	1-3/16	108
17.6	17.0										4D17.0	\$ 940.00	1-5/16	A2	J	2-9/16	4-1/2	1/4	145
18.6	18.0	3D18.0	\$ 800.00	1/16	D3	J	1-3/16	4-1/2	3/16	125	4D18.0	\$ 960.00	1-5/16	A2	J	2-9/16	4-1/2	1/4	145
20.6	20.0										4D20.0	\$ 980.00	5/16	A3	J	1-9/16	4-1/2	1-1/4	152
22.6	22.0	3D22.0	\$ 960.00	1/16	D3	J	1-3/16	4-1/2	3/16	140	4D22.0	\$1,000.00	5/16	A3	J	1-9/16	4-1/2	1-1/4	175
24.6	24.0	3D24.0	\$ 1,080.00	1/16	D3	J	1-3/16	4-1/2	3/16	154	4D24.0	\$1,260.00	5/16	A3	J	1-9/16	4-1/2	1-1/4	189
27.6	27.0	3D27.0	\$ 1,160.00	1/16	D3	J	1-3/16	4-1/2	3/16	180	4D27.0	\$1,280.00	5/16	A3	J	1-9/16	4-1/2	1-1/4	210
33.6	33.0	3D33.0	\$ 1,640.00	1/16	D3	J	1-3/16	4-1/2	3/16	227	4D33.0	\$2,120.00	15/32	B3	M	1-15/16	6-3/8	1-5/32	342
40.6	40.0	3D40.0	\$ 2,040.00	1/16	D3	J	1-3/16	4-1/2	3/16	273	4D40.0	\$2,240.00	15/32	B3	M	1-15/16	6-3/4	1-5/32	391

O.D.	DATUM DIAMETER	5 GROOVE									6 GROOVE								
		PART NUMBER	LIST** PRICE	F = 7-1/2						PART NUMBER	LIST** PRICE	F = 8-15/16							
				E*	TYPE	BUSH.	K	L	M*			WT. LBS	E*	TYPE	BUSH.	K	L	M*	WT. LBS
12.6	12.0	5D12.0	\$ 780.00	2	A2	F	3-1/16	3-5/8	1-7/8	90	6D12.0	\$ 960.00	2-1/16	A2	J	3-5/16	4-1/2	2-3/8	122
13.6	13.0	5D13.0	\$ 800.00	2	A2	F	3-1/16	3-5/8	1-7/8	96	6D13.0	\$ 980.00	2-1/16	A2	J	3-5/16	4-1/2	2-3/8	121
14.1	13.5	5D13.5	\$ 820.00	2	A2	F	3-1/16	3-5/8	1-7/8	100	6D13.5	\$1,000.00	2-1/16	A2	J	3-5/16	4-1/2	2-3/8	126
14.6	14.0	5D14.0	\$ 860.00	2	A2	F	3-1/16	3-5/8	1-7/8	105	6D14.0	\$1,020.00	2-1/16	A2	J	3-5/16	4-1/2	2-3/8	132
15.1	14.5	5D14.5	\$ 920.00	2	A2	F	3-1/16	3-5/8	1-7/8	112	6D14.5	\$1,040.00	2-1/16	A2	J	3-5/16	4-1/2	2-3/8	138
15.6	15.0	5D15.0	\$ 940.00	2	A2	F	3-1/16	3-5/8	1-7/8	117	6D15.0	\$1,060.00	2-1/16	A2	J	3-5/16	4-1/2	2-3/8	143
16.1	15.5	5D15.5	\$ 960.00	2	A2	F	3-1/16	3-5/8	1-7/8	119	6D15.5	\$1,080.00	2-1/16	A2	J	3-5/16	4-1/2	2-3/8	149
16.6	16.0	5D16.0	\$ 980.00	2	A2	F	3-1/16	3-5/8	1-7/8	124	6D16.0	\$1,100.00	2-1/16	A2	J	3-5/16	4-1/2	2-3/8	155
17.6	17.0	5D17.0	\$ 1,000.00	2-1/16	A2	J	3-5/16	4-1/2	15/16	145	6D17.0	\$1,120.00	2-1/16	A2	J	3-5/16	4-1/2	2-3/8	162
18.6	18.0	5D18.0	\$ 1,020.00	2-1/16	A2	J	3-5/16	4-1/2	15/16	161	6D18.0	\$1,140.00	2-1/16	A2	J	3-5/16	4-1/2	2-3/8	181
20.6	20.0	5D20.0	\$ 1,220.00	5/16	A3	J	1-9/16	4-1/2	2-11/16	171	6D20.0	\$1,480.00	2-1/16	A3	J	3-5/16	4-1/2	2-3/8	190
22.6	22.0	5D22.0	\$ 1,420.00	5/16	A3	J	1-9/16	4-1/2	2-11/16	192	6D22.0	\$1,840.00	15/32	A3	M	1/15/16	6-3/4	1-23/32	281
24.6	24.0	5D24.0	\$ 1,570.00	5/16	A3	J	1-9/16	4-1/2	2-11/16	211	6D24.0	\$1,880.00	15/32	A3	M	1/15/16	6-3/4	1-23/32	306
27.6	27.0	5D27.0	\$ 1,740.00	15/32	A3	M	1-15/16	6-3/4	9/32	320	6D27.0	\$1,900.00	15/32	A3	M	1/15/16	6-3/4	1-23/32	346
33.6	33.0	5D33.0	\$ 2,180.00	15/32	A3	M	1-15/16	6-3/4	9/32	373	6D33.0	\$2,460.00	15/32	A3	M	1/15/16	6-3/4	1-23/32	419
40.6	40.0	5D40.0	\$ 2,700.00	15/32	A3	M	1-15/16	6-3/4	9/32	469	6D40.0	\$2,980.00	15/32	A3	M	1/15/16	6-3/4	1-23/32	510
48.6	48.0	5D48.0	\$ 3,080.00	15/32	A3	M	1-15/16	6-3/4	9/32	591	6D48.0	\$3,480.00	15/32	A3	M	1/15/16	6-3/4	1-23/32	667
58.6	58.0	5D58.0	\$ 4,280.00	15/32	A3	M	1-15/16	6-3/4	9/32	715	6D58.0	\$4,520.00	9/16	A3	N	2-1/4	8-1/8	1/4	889

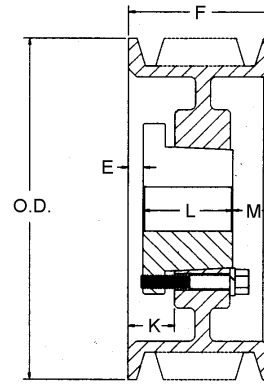
*E & M Dimension varies according to shaft tolerance All Dimensions in Inches Weights are approximate pounds including bushing
** List Prices Shown are for Sheave Only. Refer to Page 15 for Bushing List Price and Dimensions. 29

D stock sheave dimensions conventional v-belt drives

Figure Following Letter in Column Headed "TYPE" in Table Below Indicates Sheave Construction
1 - Solid, No Web. 2 - Web. 3 - Arms

O.D.	DATUM DIAMETER	8 GROOVE									10 GROOVE								
		PART NUMBER	LIST** PRICE	F = 11-13/16						PART NUMBER	LIST** PRICE	F = 14-11/16							
				E	TYPE	BUSH.	K	L	M			WT. LBS	E	TYPE	BUSH.	K	L	M	WT. LBS
12.6	12.0	8D12.0	\$ 1,240.00	2-5/16	A1	J	3-9/16	4-1/2	5	141	10D12.0	\$ 1,520.00	2-15/32	A1	M	3-15/16	6-3/4	5-15/32	197
13.6	13.0	8D13.0	\$ 1,260.00	2-5/16	A1	J	3-9/16	4-1/2	5	164	10D13.0	\$ 1,580.00	2-15/32	A1	M	3-15/16	6-3/4	5-15/32	224
14.1	13.5	8D13.5	\$ 1,280.00	2-5/16	A1	J	3-9/16	4-1/2	5	177	10D13.5	\$ 1,660.00	2-15/32	A1	M	3-15/16	6-3/4	5-15/32	241
14.6	14.0	8D14.0	\$ 1,320.00	2-5/16	A2	J	3-9/16	4-1/2	5	158	10D14.0	\$ 1,740.00	2-15/32	A2	M	3-15/16	6-3/4	5-15/32	263
15.1	14.5	8D14.5	\$ 1,360.00	2-5/16	A2	J	3-9/16	4-1/2	5	168	10D14.5	\$ 1,840.00	2-15/32	A2	M	3-15/16	6-3/4	5-15/32	274
15.6	15.0	8D15.0	\$ 1,380.00	2-5/16	A2	J	3-9/16	4-1/2	5	171	10D15.0	\$ 1,860.00	2-15/32	A2	M	3-15/16	6-3/4	5-15/32	292
16.1	15.5	8D15.5	\$ 1,400.00	2-5/16	A2	J	3-9/16	4-1/2	5	176	10D15.5	\$ 1,880.00	2-15/32	A2	M	3-15/16	6-3/4	5-15/32	311
16.6	16.0	8D16.0	\$ 1,560.00	2-5/16	A2	J	3-9/16	4-1/2	5	183	10D16.0	\$ 1,900.00	2-15/32	A2	M	3-15/16	6-3/4	5-15/32	297
17.6	17.0	8D17.0	\$ 1,680.00	2-5/16	A2	J	3-9/16	4-1/2	5	193	10D17.0	\$ 2,080.00	2-15/32	A2	M	3-15/16	6-3/4	5-15/32	305
18.6	18.0	8D18.0	\$ 1,820.00	2-15/32	A2	M	3-15/16	6-3/4	2-19/32	277	10D18.0	\$ 2,120.00	2-15/32	A2	M	3-15/16	6-3/4	5-15/32	311
20.6	20.0	8D20.0	\$ 2,000.00	2-15/32	A2	M	3-15/16	6-3/4	2-19/32	306	10D20.0	\$ 2,380.00	2-15/32	A2	M	3-15/16	6-3/4	5-15/32	347
22.6	22.0	8D22.0	\$ 2,160.00	15/32	A3	M	1-15/16	6-3/4	4-19/32	342	10D22.0	\$ 2,480.00	1-15/32	A3	M	2-15/16	6-3/4	6-15/32	391
27.6	27.0	8D27.0	\$ 2,660.00	15/32	A3	M	1-15/16	6-3/4	4-19/32	406	10D27.0	\$ 2,980.00	1-15/32	A3	M	2-15/16	6-3/4	6-15/32	459
33.6	33.0	8D33.0	\$ 2,840.00	15/32	A3	M	1-15/16	6-3/4	4-19/32	488	10D33.0	\$ 3,280.00	1-9/16	A3	N	3-1/4	8-1/8	5	690
40.6	40.0	8D40.0	\$ 3,720.00	9/16	A3	N	2-1/4	8-1/8	3-1/8	657	10D40.0	\$ 4,300.00	1-9/16	A3	N	3-1/4	8-1/8	5	813
48.6	48.0	8D48.0	\$ 4,320.00	9/16	A3	N	2-1/4	8-1/8	3-1/8	820	10D48.0	\$ 5,080.00	3/4	A3	P	2-5/8	9-3/8	4-9/16	1132
58.6	58.0	8D58.0	\$ 5,280.00	9/16	A3	N	2-1/4	8-1/8	3-1/8	1088	10D58.0	\$ 5,880.00	3/4	A3	P	2-5/8	9-3/8	4-9/16	1301

O.D.	DATUM DIAMETER	12 GROOVE									
		PART NUMBER	LIST** PRICE	F = 17-9/16						WT. LBS	
				E	TYPE	BUSH.	K	L	M		
12.6	12.0	12D12.0	\$ 1,720.00	3-15/32	A1	M	4-15/16	6-3/4	7-11/32	211	
13.6	13.0	12D13.0	\$ 1,800.00	3-15/32	A1	M	4-15/16	6-3/4	7-11/32	245	
14.1	13.5	12D13.5	\$ 1,860.00	3-15/32	A1	M	4-15/16	6-3/4	7-11/32	262	
14.6	14.0	12D14.0	\$ 1,880.00	3-15/32	A2	M	4-15/16	6-3/4	7-11/32	280	
15.1	14.5	12D14.5	\$ 2,000.00	3-15/32	A2	M	4-15/16	6-3/4	7-11/32	298	
15.6	15.0	12D15.0	\$ 2,120.00	3-15/32	A2	M	4-15/16	6-3/4	7-11/32	316	
16.1	15.5	12D15.5	\$ 2,180.00	3-15/32	A2	M	4-15/16	6-3/4	7-11/32	336	
16.6	16.0	12D16.0	\$ 2,200.00	3-15/32	A2	M	4-15/16	6-3/4	7-11/32	314	
17.6	17.0	12D17.0	\$ 2,320.00	3-15/32	A2	M	4-15/16	6-3/4	7-11/32	324	
18.6	18.0	12D18.0	\$ 2,420.00	3-15/32	A2	M	4-15/16	6-3/4	7-11/32	352	
20.6	20.0	12D20.0	\$ 2,760.00	3-15/32	A2	M	4-15/16	6-3/4	7-11/32	387	
22.6	22.0	12D22.0	\$ 2,980.00	2-15/32	A3	M	3-15/16	6-3/4	8-11/32	426	
27.6	27.0	12D27.0	\$ 3,640.00	2-9/16	A3	N	4-1/4	8-1/8	6-7/8	572	
33.6	33.0	12D33.0	\$ 4,380.00	2-9/16	A3	N	4-1/4	8-1/8	6-7/8	705	
40.6	40.0	12D40.0	\$ 5,040.00	3/4	A3	P	2-5/8	9-3/8	7-7/16	957	
48.6	48.0	12D48.0	\$ 6,180.00	3/4	A3	P	2-5/8	9-3/8	7-7/16	1287	
58.6	58.0	12D58.0	\$ 6,760.00	3/4	A3	P	2-5/8	9-3/8	7-7/16	1493	



TYPE A

*E & M Dimension varies according to shaft tolerance

All Dimensions in Inches

Weights are approximate pounds including bushing

** List Prices Shown are for Sheave Only.
Refer to Page 15 for Bushing List Price and Dimensions.