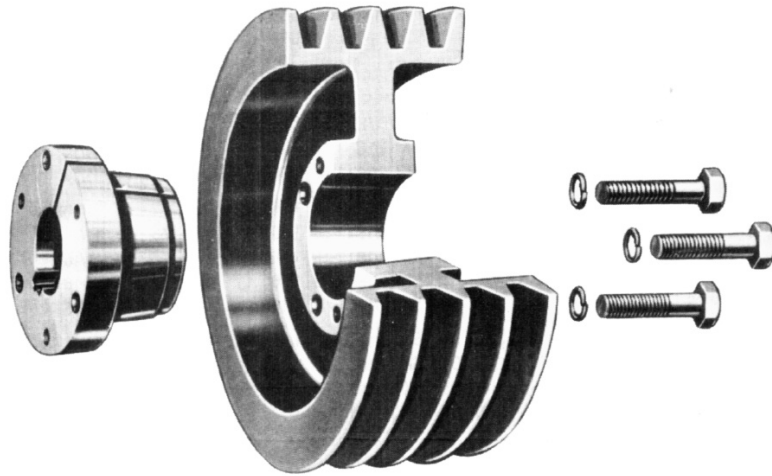


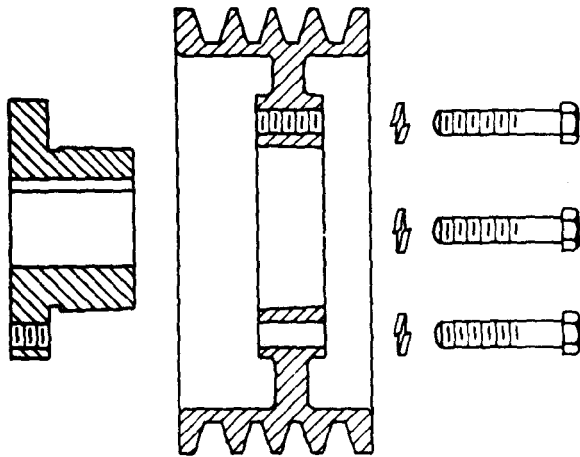


MULTI-V FUL-GRIP SHEAVES AND BUSHINGS



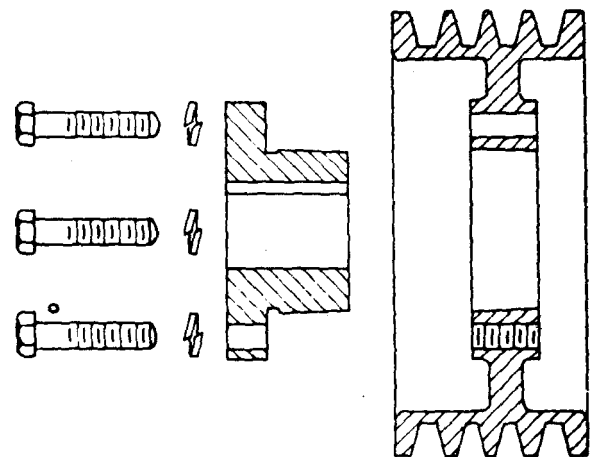
FUL-GRIP (QD) BUSHINGS FUL-GRIP (QD) SHEAVES STANDARD MULTI-V SHEAVES SPECIAL MADE-TO-ORDER SHEAVES

Industry puts Maurey sheaves on more drives every year simply because it pays to do so. Machined from close-grained, grey iron castings and statically balanced to MPTA standards, these sheaves will stand up to hard service and provide smooth, quiet-running, belt-saving performance. However, please note that cast iron sheaves cannot exceed 6500 feet per a minute rim speed. Also, special or dynamic balancing should be considered when rim speeds exceed 5000 feet per a minute. Maurey sheaves are available in stock sizes for B, C, D section belts. Maurey also offers special made-to-order items for B, C, D section belts as well. The Ful-Grip bushing system is Maurey's answer to the need for sheaves that are installed, removed, and interchanged with the ultimate in ease and speed. With tapered bores to slip easily over flanged and detachable bushings, tapered to match the rims, Ful-Grips are the adaptability champions. Installation instructions on page 19 show how easily Ful-Grips make it possible to retain the bushing and change the sheave to suit speed, or retain the sheave and change the bushing to fit a different shaft size.



STANDARD MOUNTING ASSEMBLY

Fig. 1



REVERSE MOUNTING ASSEMBLY

Fig. 2

INSTALLATION AND REMOVAL OF SHEAVES

INSTALLATION

1. Make sure the bore of the sheave and the tapered cone surface of the bushing are free of all the foreign substances such as paint, dirt, lubricants, etc. Do not use lubricants on installation.
2. Assemble bushings and sheave as shown above in Figures 1 and 2, whichever applies. With cap screws loosely inserted, the bushing remains fully expanded to assume a sliding fit on the shaft. Note: When installing bushings M thru S, locate the extra holes in the hub as far as possible from the bushing's saw cut in order to reduce the possibility of bushing flange breakage. CAUTION: Do not use lubricants on screw threads or tapered surfaces
3. With key on shaft, slide sheave assembly to its desired position with cap screw heads on outside. (Exception: Some shaft lengths may require the sheaves to be reversed with the cap screw heads to the inside - see Figure 2.)
4. Line up the sheave assembly and tighten cap screws evenly and progressively to the torque value listed in the table. Never allow the sheave to be drawn in contact with the bushing flange. There should be a gap of 1/8" to 1/4" between the sheave hub and the bushing flange. If the gap is closed, the shaft is seriously undersize.
5. Tighten the set screw to hold the key securely on the shaft during operation.

CAUTION: When mounting a "FUL-GRIP" bushing, the tightening force of the screws is multiplied many times by the wedging action of the tapered surface. This action compresses the bushing for a snug fit on the shaft. If extreme screw tightening force or lubricants are applied in mounting the "FUL-GRIP" bushing, bursting pressures will be created in the hub of the mounted sheave which may cause it to crack.

Refer to the recommended torque ratings

REMOVAL

1. Loosen and remove cap screws.
2. Insert cap screws in tapered removal holes and starting with bolt farthest from sawnut on bushing, tighten evenly and progressively until sheave is loose on bushing. If sheaves in Figure 2 are installed with cap screw heads next to motor, loosen cap screws and use a wedge between the bushing and the sheave.
3. Remove sheave and bushing

CAUTION: Excessive or unequal pressure on the jack screws can break the bushing flange

Bushing	Wrench Torque (In.-Lbs)	Wrench Length (Inches)	Wrench Pull (Pounds)
JA	60	4	15
SH	108	4	27
SDS	108	4	27
SDS	108	4	27
SK	180	6	30
SF	360	6	60
E	720	12	60
F	900	12	75
J	1620	12	135
M	2700	15	180
N	3600	15	240
P	5400	18	300
W	7200	24	300
S	9000	30	300

C stock sheave dimensions conventional v-belt drives

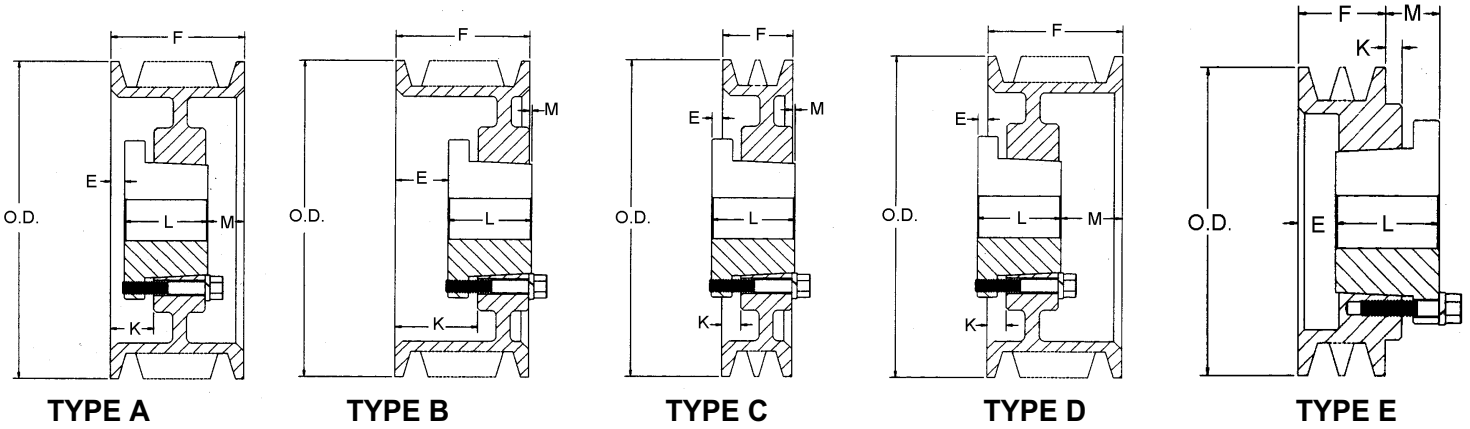


Figure Following Letter in Column Headed "TYPE" in Table Below Indicates Sheave Construction
1 - Solid, No Web. 2 - Web. 3 - Arms

O.D.	DATUM DIAMETER	1 GROOVE									2 GROOVE								
		PART NUMBER	LIST** PRICE	F = 1-3/8						PART NUMBER	LIST** PRICE	F = 2-3/8							
				E*	TYPE	BUSH.	K	L	M*			WT. LBS	E*	TYPE	BUSH.	K	L	M*	WT. LBS
6.0	5.6										2C5.6	\$130.00	3/16	A1	SD	13/16	1-13/16	3/8	10
7.4	7.0	1C7.0	\$ 112.00	9/16	C1	SF	1/8	2	1/16	13	2C7.0	\$132.00	1/8	A1	SF	13/16	2	1/4	15
7.9	7.5	1C7.5	\$ 120.00	9/16	C1	SF	1/8	2	1/16	14	2C7.5	\$136.00	1/8	A1	SF	13/16	2	1/4	17
8.4	8.0	1C8.0	\$ 124.00	9/16	C2	SF	1/8	2	1/16	17	2C8.0	\$144.00	1/8	A2	SF	13/16	2	1/4	19
8.9	8.5	1C8.5	\$ 128.00	9/16	C2	SF	1/8	2	1/16	16	2C8.5	\$148.00	1/8	A2	SF	13/16	2	1/4	22
9.4	9.0	1C9.0	\$ 132.00	9/16	C2	SF	1/8	2	1/16	17	2C9.0	\$152.00	1/8	A2	SF	13/16	2	1/4	21
9.9	9.5	1C9.5	\$ 136.00	9/16	C2	SF	1/8	2	1/16	18	2C9.5	\$160.00	1/8	A2	SF	13/16	2	1/4	23
10.4	10.0	1C10.0	\$ 140.00	9/16	C2	SF	1/8	2	1/16	19	2C10.0	\$176.00	1/8	A2	SF	13/16	2	1/4	24
10.9	10.5	1C10.5	\$ 152.00	9/16	C2	SF	1/8	2	1/16	20	2C10.5	\$188.00	1/8	A2	SF	13/16	2	1/4	26
11.4	11.0	1C11.0	\$ 172.00	9/16	C3	SF	1/8	2	1/16	18	2C11.0	\$200.00	1/8	A3	SF	13/16	2	1/4	23
12.4	12.0	1C12.0	\$ 184.00	9/16	C3	SF	1/8	2	1/16	20	2C12.0	\$210.00	1/8	D3	SF	9/16	2	1/2	25
13.4	13.0	1C13.0	\$ 240.00	9/16	C3	SF	1/8	2	1/16	22	2C13.0	\$250.00	1/8	D3	SF	9/16	2	1/2	27
14.4	14.0	1C14.0	\$ 260.00	9/16	C3	SF	1/8	2	1/16	23	2C14.0	\$270.00	1/8	D3	SF	9/16	2	1/2	29
16.4	16.0	1C16.0	\$ 280.00	9/16	C3	SF	1/8	2	1/16	27	2C16.0	\$290.00	1/8	D3	SF	9/16	2	1/2	35
18.4	18.0	1C18.0	\$ 300.00	9/16	C3	SF	1/8	2	1/16	31	2C18.0	\$310.00	1/8	D3	SF	9/16	2	1/2	45
20.4	20.0	1C20.0	\$ 320.00	9/16	C3	SF	1/8	2	1/16	35	2C20.0	\$340.00	1/8	D3	SF	9/16	2	1/2	45
24.4	24.0	1C24.0	\$ 360.00	9/16	C3	SF	1/8	2	1/16	44	2C24.0	\$460.00	1/8	D3	SF	9/16	2	1/2	61
27.4	27.0										2C27.0	\$550.00	3/4	C3	F	5/16	3-5/8	1/2	90
30.4	30.0										2C30.0	\$620.00	3/4	C3	F	5/16	3-5/8	1/2	107

*E & M Dimension varies according to shaft tolerance All Dimensions in Inches Weights are approximate pounds including bushing
** List Prices Shown are for Sheave Only. Refer to Page 15 for Bushing List Price and Dimensions.

C stock sheave dimensions conventional v-belt drives

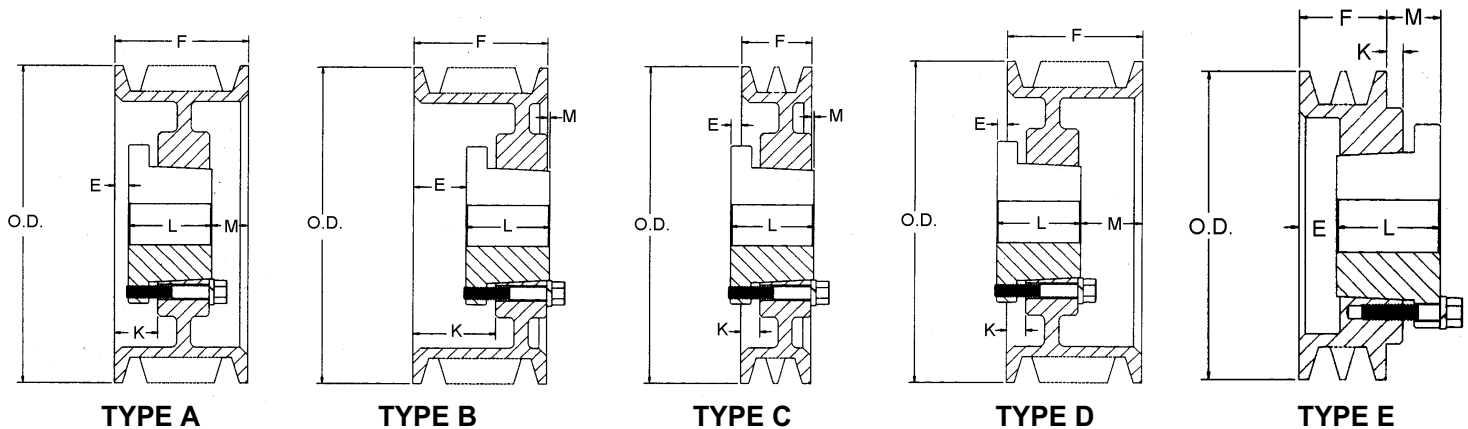


Figure Following Letter in Column Headed "TYPE" in Table Below Indicates Sheave Construction
1 - Solid, No Web. 2 - Web. 3 - Arms

O.D.	DATUM DIAMETER	3 GROOVE									4 GROOVE								
		PART NUMBER	LIST** PRICE	F = 3-3/8						WT. LBS	PART NUMBER	LIST** PRICE	F = 4-3/8						WT. LBS
				E*	TYPE	BUSH.	K	L	M*				E*	TYPE	BUSH.	K	L	M*	
5.4	5.0	3C5.0	\$ 136.00	1/2	A1	SD	1-1/16	1-13/16	1-1/16	10	4C5.0	\$ 156.00	1	A1	SD	1-9/16	1-13/16	1-9/16	11
6.0	5.6	3C5.6	\$ 138.00	3/4	A1	SD	1-5/16	1-13/16	13/16	12	4C5.6	\$ 158.00	1	A1	SD	1-9/16	1-13/16	1-9/16	14
6.4	6.0	3C6.0	\$ 140.00	11/16	A1	SF	1-5/16	2	11/16	12	4C6.0	\$ 160.00	15/16	A1	SF	1-9/16	2	1-7/16	14
7.4	7.0	3C7.0	\$ 144.00	11/16	A1	SF	1-5/16	2	11/16	18	4C7.0	\$ 164.00	15/16	A1	SF	1-9/16	2	1-7/16	20
7.9	7.5	3C7.5	\$ 148.00	11/16	A1	SF	1-5/16	2	11/16	21	4C7.5	\$ 172.00	15/16	A1	SF	1-9/16	2	1-7/16	24
8.4	8.0	3C8.0	\$ 156.00	7/8	B1	E	1-3/4	2-5/8	1/8	28	4C8.0	\$ 196.00	1-1/8	A1	E	2	2-5/8	5/8	31
8.9	8.5	3C8.5	\$ 176.00	7/8	B1	E	1-3/4	2-5/8	1/8	31	4C8.5	\$ 208.00	1-1/8	A1	E	2	2-5/8	5/8	34
9.4	9.0	3C9.0	\$ 188.00	7/8	B1	E	1-3/4	2-5/8	1/8	34	4C9.0	\$ 224.00	1-1/8	A1	E	2	2-5/8	5/8	38
9.9	9.5	3C9.5	\$ 200.00	7/8	B2	E	1-3/4	2-5/8	1/8	38	4C9.5	\$ 228.00	1-1/8	A2	E	2	2-5/8	5/8	42
10.4	10.0	3C10.0	\$ 220.00	7/8	B2	E	1-3/4	2-5/8	1/8	41	4C10.0	\$ 240.00	1-1/8	A2	E	2	2-5/8	5/8	45
10.9	10.5	3C10.5	\$ 230.00	7/8	B2	E	1-3/4	2-5/8	1/8	38	4C10.5	\$ 260.00	1-1/8	A2	E	2	2-5/8	5/8	43
11.4	11.0	3C11.0	\$ 240.00	7/8	B2	E	1-3/4	2-5/8	1/8	41	4C11.0	\$ 272.00	1-1/8	A2	E	2	2-5/8	5/8	45
12.4	12.0	3C12.0	\$ 250.00	7/8	B2	E	1-3/4	2-5/8	1/8	45	4C12.0	\$ 300.00	1-1/8	A2	E	2	2-5/8	5/8	51
13.4	13.0	3C13.0	\$ 290.00	7/8	B3	E	1-3/4	2-5/8	1/8	49	4C13.0	\$ 336.00	1-1/8	A3	E	2	2-5/8	5/8	56
14.4	14.0	3C14.0	\$ 320.00	7/8	B3	E	1-3/4	2-5/8	1/8	49	4C14.0	\$ 364.00	1-1/8	A3	E	2	2-5/8	5/8	58
16.4	16.0	3C16.0	\$ 330.00	7/8	B3	E	1-3/4	2-5/8	1/8	58	4C16.0	\$ 420.00	1-1/8	A3	E	2	2-5/8	5/8	67
18.4	18.0	3C18.0	\$ 350.00	7/8	B3	E	1-3/4	2-5/8	1/8	73	4C18.0	\$ 430.00	1-1/8	A3	E	2	2-5/8	5/8	83
20.4	20.0	3C20.0	\$ 400.00	1/8	A3	E	1	2-5/8	5/8	76	4C20.0	\$ 450.00	5/8	A3	E	1-1/2	2-5/8	1-1/8	91
24.4	24.0	3C24.0	\$ 480.00	1/8	A3	E	1	2-5/8	5/8	86	4C24.0	\$ 560.00	5/16	A3	F	1-5/16	3-5/8	7/16	111
27.4	27.0	3C27.0	\$ 580.00	3/16	C3	F	13/16	3-5/8	1/16	121	4C27.0	\$ 660.00	5/16	A3	F	1-5/16	3-5/8	7/16	138
30.4	30.0	3C30.0	\$ 640.00	3/16	C3	F	13/16	3-5/8	1/16	129	4C30.0	\$ 760.00	5/16	A3	F	1-5/16	3-5/8	7/16	150
36.4	36.0	3C36.0	\$ 980.00	3/16	C3	F	13/16	3-5/8	1/16	177	4C36.0	\$1,120.00	5/16	A3	F	1-5/16	3-5/8	7/16	211
44.4	44.0	3C44.0	\$1,720.00	3/16	C3	F	13/16	3-5/8	1/16	260	4C44.0	\$1,800.00	3/8	B3	J	1-9/16	4-1/2	1/2	297
50.0	50.0	3C50.0	\$1,920.00	3/16	C3	F	13/16	3-5/8	1/16	319	4C50.0	\$2,120.00	3/8	B3	J	1-9/16	4-1/2	1/2	361

*E & M Dimension varies according to shaft tolerance All Dimensions in Inches Weights are approximate pounds including bushing

** List Prices Shown are for Sheave Only. Refer to Page 15 for Bushing List Price and Dimensions.

C stock sheave dimensions conventional v-belt drives

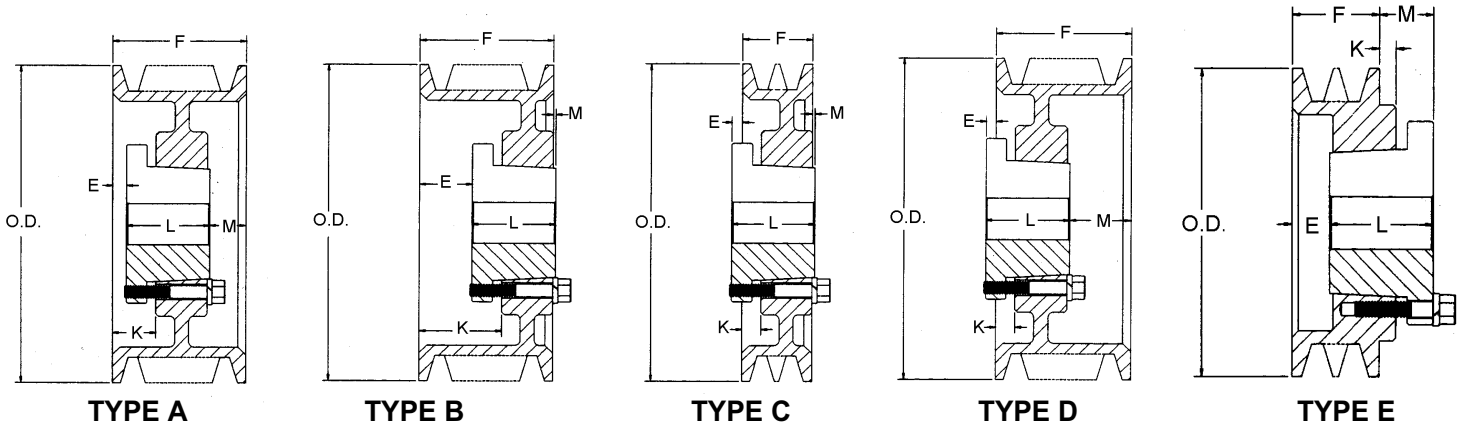


Figure Following Letter in Column Headed "TYPE" in Table Below Indicates Sheave Construction
1 - Solid, No Web. 2 - Web. 3 - Arms

O.D.	DATUM DIAMETER	5 GROOVE									6 GROOVE								
		PART NUMBER	LIST** PRICE	F = 5-3/8						PART NUMBER	LIST** PRICE	F = 6-3/8							
				E*	TYPE	BUSH.	K	L	M*			WT. LBS	E*	TYPE	BUSH.	K	L	M*	WT. LBS
6.4	6.0	5C6.0	\$ 172.00	1-3/8	A1	SF	1-15/16	2	2	16	6C6.0	\$ 244.00	1-3/8	A1	SF	1-15/16	2	3	17
7.4	7.0	5C7.0	\$ 176.00	1-5/16	A1	SF	1-15/16	2	2-1/16	24	6C7.0	\$ 248.00	1-5/16	A1	SF	1-15/16	2	3-1/16	27
7.9	7.5	5C7.5	\$ 224.00	1-5/16	A1	SF	1-15/16	2	2-1/16	27	6C7.5	\$ 264.00	1-5/16	A1	SF	1-15/16	2	3-1/16	30
8.4	8.0	5C8.0	\$ 236.00	1-1/2	A1	E	2-3/8	2-5/8	1-1/4	34	6C8.0	\$ 280.00	1-1/2	A1	E	2-3/8	2-5/8	2-1/4	38
8.9	8.5	5C8.5	\$ 252.00	1-1/2	A1	E	2-3/8	2-5/8	1-1/4	38	6C8.5	\$ 288.00	1-1/2	A1	E	2-3/8	2-5/8	2-1/4	41
9.4	9.0	5C9.0	\$ 256.00	1-1/2	A1	E	2-3/8	2-5/8	1-1/4	41	6C9.0	\$ 296.00	1-7/16	A1	F	2-7/16	3-5/8	1-5/16	53
9.9	9.5	5C9.5	\$ 272.00	1-1/2	A2	E	2-3/8	2-5/8	1-1/4	46	6C9.5	\$ 316.00	1-7/16	A1	F	2-7/16	3-5/8	1-5/16	60
10.4	10.0	5C10.0	\$ 276.00	1-1/2	A2	E	2-3/8	2-5/8	1-1/4	49	6C10.0	\$ 328.00	1-7/16	A1	F	2-7/16	3-5/8	1-5/16	64
10.9	10.5	5C10.5	\$ 296.00	1-1/2	A2	E	2-3/8	2-5/8	1-1/4	47	6C10.5	\$ 336.00	1-7/16	A1	F	2-7/16	3-5/8	1-5/16	70
11.4	11.0	5C11.0	\$ 332.00	1-1/2	A2	E	2-3/8	2-5/8	1-1/4	50	6C11.0	\$ 356.00	1-7/16	A2	F	2-7/16	3-5/8	1-5/16	77
12.4	12.0	5C12.0	\$ 336.00	1-1/2	A2	E	2-3/8	2-5/8	1-1/4	56	6C12.0	\$ 400.00	1-7/16	A2	F	2-7/16	3-5/8	1-5/16	73
13.4	13.0	5C13.0	\$ 376.00	1-1/2	A3	E	2-3/8	2-5/8	1-1/4	62	6C13.0	\$ 444.00	1-7/16	A3	F	2-7/16	3-5/8	1-5/16	80
14.4	14.0	5C14.0	\$ 380.00	1-1/2	A3	E	2-3/8	2-5/8	1-1/4	64	6C14.0	\$ 480.00	1-7/16	A3	F	2-7/16	3-5/8	1-5/16	83
16.4	16.0	5C16.0	\$ 430.00	1-1/2	A3	E	2-3/8	2-5/8	1-1/4	78	6C16.0	\$ 520.00	1-7/16	A3	F	2-7/16	3-5/8	1-5/16	98
18.4	18.0	5C18.0	\$ 480.00	1-1/2	A3	E	2-3/8	2-5/8	1-1/4	93	6C18.0	\$ 560.00	1-7/16	A3	F	2-7/16	3-5/8	1-5/16	109
20.4	20.0	5C20.0	\$ 600.00	5/16	A3	F	1-15/16	3-5/8	1-7/16	110	6C20.0	\$ 620.00	15/16	A3	F	1-15/16	3-5/8	1-13/16	120
24.4	24.0	5C24.0	\$ 640.00	5/16	A3	F	1-15/16	3-5/8	1-7/16	141	6C24.0	\$ 720.00	15/16	A3	F	1-15/16	3-5/8	1-13/16	133
27.4	27.0	5C27.0	\$ 760.00	5/16	A3	F	1-15/16	3-5/8	1-7/16	159	6C27.0	\$ 880.00	3/8	A3	J	1-9/16	4-1/2	1-1/2	190
30.4	30.0	5C30.0	\$ 840.00	5/16	A3	F	1-15/16	3-5/8	1-7/16	171	6C30.0	\$1,040.00	3/8	A3	J	1-9/16	4-1/2	1-1/2	215
36.4	36.0	5C36.0	\$1,180.00	3/8	A3	J	1-9/16	4-1/2	1/2	236	6C36.0	\$1,300.00	3/8	A3	J	1-9/16	4-1/2	1-1/2	281
44.4	44.0	5C44.0	\$1,940.00	3/8	A3	J	1-9/16	4-1/2	1/2	309	6C44.0	\$2,040.00	3/8	A3	J	1-9/16	4-1/2	1-1/2	348
50.0	50.0	5C50.0	\$2,280.00	3/8	A3	J	1-9/16	4-1/2	1/2	382	6C50.0	\$2,680.00	3/8	B3	M	1-15/16	6-3/4	7/8	533

*E & M Dimension varies according to shaft tolerance All Dimensions in Inches Weights are approximate pounds including bushing
** List Prices Shown are for Sheave Only. Refer to Page 15 for Bushing List Price and Dimensions.

C stock sheave dimensions conventional v-belt drives

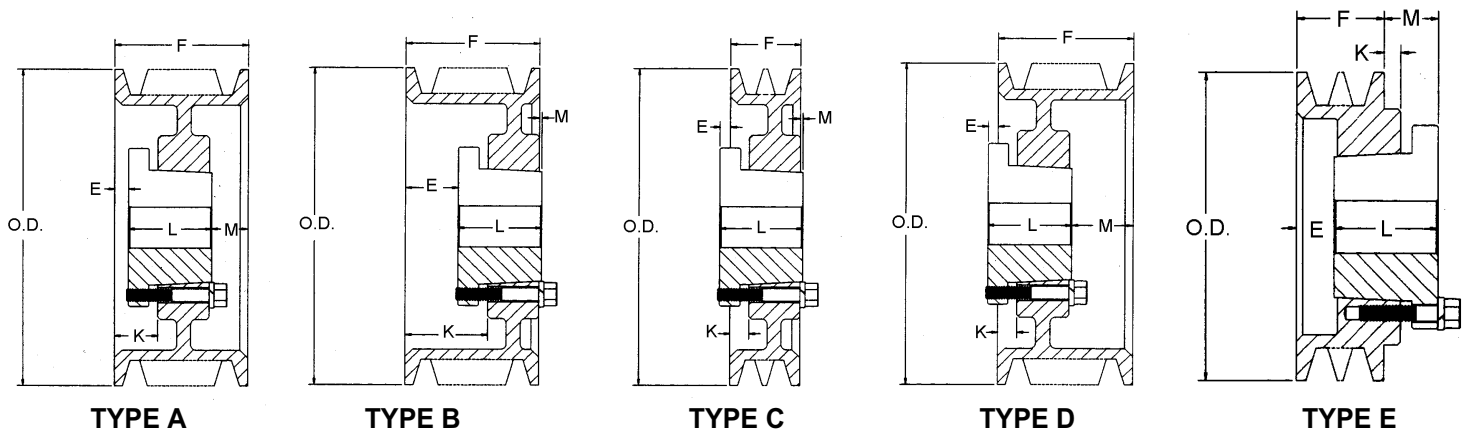


Figure Following Letter in Column Headed "TYPE" in Table Below Indicates Sheave Construction
1 - Solid, No Web. 2 - Web. 3 - Arms

O.D.	DATUM DIAMETER	7 GROOVE									8 GROOVE								
		PART NUMBER	LIST** PRICE	F = 7-3/8						WT. LBS	PART NUMBER	LIST** PRICE	F = 8-3/8						WT. LBS
				E*	TYPE	BUSH.	K	L	M*				E*	TYPE	BUSH.	K	L	M*	
7.4	7.0	7C7.0	\$ 320.00	2-1/4	A1	SF	2-15/16	2	3-1/8	29	8C7.0	\$ 320.00	2-7/16	A1	SF	3-1/8	2	3-15/16	32
8.4	8.0	7C8.0	\$ 390.00	2-11/32	A1	E	3-1/4	2-5/8	2-13/32	41	8C8.0	\$ 390.00	2-11/32	A1	E	3-1/4	2-5/8	3-13/32	44
8.9	8.5	7C8.5	\$ 400.00	2-11/32	A1	E	3-1/4	2-5/8	2-13/32	45	8C8.5	\$ 400.00	2-11/32	A1	E	3-1/4	2-5/8	3-13/32	48
9.4	9.0	7C9.0	\$ 410.00	2-1/4	A1	F	3-5/16	3-5/8	1-1/2	57	8C9.0	\$ 410.00	2-1/4	A1	F	3-5/16	3-5/8	2-1/2	61
9.9	9.5	7C9.5	\$ 420.00	2-1/4	A1	F	3-5/16	3-5/8	1-1/2	64	8C9.5	\$ 420.00	2-1/4	A1	F	3-5/16	3-5/8	2-1/2	68
10.4	10.0	7C10.0	\$ 430.00	2-1/4	A1	F	3-5/16	3-5/8	1-1/2	69	8C10.0	\$ 430.00	2-1/4	A1	F	3-5/16	3-5/8	2-1/2	73
10.9	10.5	7C10.5	\$ 450.00	2-1/4	A1	F	3-5/16	3-5/8	1-1/2	75	8C10.5	\$ 450.00	2-1/4	A1	F	3-5/16	3-5/8	2-1/2	79
11.4	11.0	7C11.0	\$ 480.00	2-1/4	A2	F	3-5/16	3-5/8	1-1/2	81	8C11.0	\$ 480.00	2-1/4	A2	F	3-5/16	3-5/8	2-1/2	86
12.4	12.0	7C12.0	\$ 520.00	2-1/4	A2	F	3-5/16	3-5/8	1-1/2	78	8C12.0	\$ 520.00	2-1/4	A2	F	3-5/16	3-5/8	2-1/2	83
13.4	13.0	7C13.0	\$ 560.00	2-1/4	A2	F	3-5/16	3-5/8	1-1/2	86	8C13.0	\$ 560.00	2-1/4	A2	F	3-5/16	3-5/8	2-1/2	92
14.4	14.0	7C14.0	\$ 650.00	2-1/4	A2	F	3-5/16	3-5/8	1-1/2	92	8C14.0	\$ 650.00	2-1/4	A2	F	3-5/16	3-5/8	2-1/2	102
16.4	16.0	7C16.0	\$ 740.00	2-1/4	A2	F	3-5/16	3-5/8	1-1/2	111	8C16.0	\$ 740.00	2-1/4	A2	F	3-5/16	3-5/8	2-1/2	119
18.4	18.0	7C18.0	\$ 860.00	2-1/4	A3	F	3-5/16	3-5/8	1-1/2	124	8C18.0	\$ 860.00	2-1/4	A3	F	3-5/16	3-5/8	2-1/2	134
20.4	20.0	7C20.0	\$ 870.00	5/16	A3	J	1-9/16	4-1/2	2-9/16	155	8C20.0	\$ 870.00	5/16	A3	J	1-9/16	4-1/2	3-9/16	162
24.4	24.0	7C24.0	\$1,020.00	5/16	A3	J	1-9/16	4-1/2	2-9/16	185	8C24.0	\$1,020.00	5/16	A3	J	1-9/16	4-1/2	3-9/16	189
27.4	27.0	7C27.0	\$1,120.00	5/16	A3	J	1-9/16	4-1/2	2-9/16	212	8C27.0	\$1,120.00	5/16	A3	J	1-9/16	4-1/2	3-9/16	242
30.4	30.0	7C30.0	\$1,280.00	5/16	A3	J	1-9/16	4-1/2	2-9/16	237	8C30.0	\$1,280.00	5/16	A3	J	1-9/16	4-1/2	3-9/16	256
36.4	36.0	7C36.0	\$1,600.00	5/16	A3	J	1-9/16	4-1/2	2-9/16	301	8C36.0	\$1,600.00	15/32	A3	M	1-15/16	6-3/4	1-5/32	406
44.4	44.0	7C44.0	\$2,560.00	15/32	A3	M	1-15/16	6-3/4	5/32	484	8C44.0	\$2,560.00	15/32	A3	M	1-15/16	6-3/4	1-5/32	510
50.0	50.0	7C50.0	\$3,000.00	15/32	A3	M	1-15/16	6-3/4	5/32	563	8C50.0	\$3,000.00	15/32	A3	M	1-15/16	6-3/4	1-5/32	593

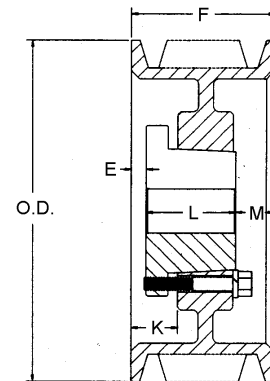
*E & M Dimension varies according to shaft tolerance All Dimensions in Inches Weights are approximate pounds including bushing
** List Prices Shown are for Sheave Only. Refer to Page 15 for Bushing List Price and Dimensions.

C stock sheave dimensions conventional v-belt drives

Figure Following Letter in Column Headed "TYPE" in Table Below Indicates Sheave Construction
1 - Solid, No Web. 2 - Web. 3 - Arms

O.D.	DATUM DIAMETER	9 GROOVE										10 GROOVE									
		PART NUMBER	LIST** PRICE	F = 9-3/8							PART NUMBER	LIST** PRICE	F = 10-3/8								
				E*	TYPE	BUSH	K	L	M*	WT. LBS			E*	TYPE	BUSH	K	L	M*	WT. LBS		
8.4	8.0	9C8.0	\$ 460.00	2-11/32	A1	E	3-1/4	2-5/8	4-13/32	48	10C8.0	\$ 460.00	2-11/32	A1	E	3-1/4	2-5/8	5-13/32	51		
8.9	8.5	9C8.5	\$ 480.00	2-11/32	A1	E	3-1/4	2-5/8	4-13/32	52	10C8.5	\$ 480.00	2-11/32	A1	E	3-1/4	2-5/8	5-13/32	56		
9.4	9.0	9C9.0	\$ 500.00	2-5/16	A1	J	3-9/16	4-1/2	2-9/16	71	10C9.0	\$ 500.00	2-5/16	A1	J	3-9/16	4-1/2	3-9/16	75		
9.9	9.5	9C9.5	\$ 510.00	2-5/16	A1	J	3-9/16	4-1/2	2-9/16	80	10C9.5	\$ 510.00	2-5/16	A1	J	3-9/16	4-1/2	3-9/16	84		
10.4	10.0	9C10.0	\$ 520.00	2-5/16	A1	J	3-9/16	4-1/2	2-9/16	86	10C10.0	\$ 520.00	2-5/16	A1	J	3-9/16	4-1/2	3-9/16	90		
10.9	10.5	9C10.5	\$ 580.00	2-5/16	A1	J	3-9/16	4-1/2	2-9/16	94	10C10.5	\$ 580.00	2-5/16	A1	J	3-9/16	4-1/2	3-9/16	98		
11.4	11.0	9C11.0	\$ 600.00	2-5/16	A1	J	3-9/16	4-1/2	2-9/16	102	10C11.0	\$ 600.00	2-5/16	A1	J	3-9/16	4-1/2	3-9/16	107		
12.4	12.0	9C12.0	\$ 760.00	2-5/16	A2	J	3-9/16	4-1/2	2-9/16	119	10C12.0	\$ 760.00	2-5/16	A2	J	3-9/16	4-1/2	3-9/16	124		
13.4	13.0	9C13.0	\$ 840.00	2-5/16	A2	J	3-9/16	4-1/2	2-9/16	112	10C13.0	\$ 840.00	2-5/16	A2	J	3-9/16	4-1/2	3-9/16	118		
14.4	14.0	9C14.0	\$ 900.00	2-5/16	A2	J	3-9/16	4-1/2	2-9/16	121	10C14.0	\$ 900.00	2-5/16	A2	J	3-9/16	4-1/2	3-9/16	127		
16.4	16.0	9C16.0	\$ 960.00	2-5/16	A2	J	3-9/16	4-1/2	2-9/16	146	10C16.0	\$ 960.00	2-5/16	A2	J	3-9/16	4-1/2	3-9/16	157		
18.4	18.0	9C18.0	\$1,080.00	2-5/16	A3	J	3-9/16	4-1/2	2-9/16	155	10C18.0	\$1,080.00	2-5/16	A3	J	3-9/16	4-1/2	3-9/16	165		
20.4	20.0	9C20.0	\$1,120.00	1-13/16	A3	J	3-1/16	4-1/2	3-1/16	175	10C20.0	\$1,120.00	2-5/16	A3	J	3-9/16	4-1/2	3-9/16	186		
24.4	24.0	9C24.0	\$1,360.00	1-13/16	A3	J	3-1/16	4-1/2	3-1/16	208	10C24.0	\$1,360.00	15/32	A3	M	1-15/16	6-3/4	3-5/32	298		
27.4	27.0	9C27.0	\$1,509.80	1-13/16	A3	J	3-1/16	4-1/2	3-1/16	243											
30.4	30.0	9C30.0	\$1,760.00	15/32	A3	M	1-15/16	6-3/4	2-5/32	352	10C30.0	\$1,760.00	15/32	A3	M	1-15/16	6-3/4	3-5/32	367		
36.4	36.0	9C36.0	\$2,560.00	15/32	A3	M	1-15/16	6-3/4	2-5/32	425	10C36.0	\$2,560.00	15/32	A3	M	1-15/16	6-3/4	3-5/32	445		
44.4	44.0	9C44.0	\$2,800.00	15/32	A3	M	1-15/16	6-3/4	2-5/32	535	10C44.0	\$2,800.00	15/32	A3	M	1-15/16	6-3/4	3-5/32	595		
50.0	50.0	9C50.0	\$3,500.00	15/32	A3	M	1-15/16	6-3/4	2-5/32	623	10C50.0	\$3,500.00	15/32	A3	M	1-15/16	6-3/4	3-5/32	718		

O.D.	DATUM DIAMETER	12 GROOVE									
		PART NUMBER	LIST** PRICE	F = 12-3/8							WT. LBS
				E*	TYPE	BUSH	K	L	M*		
9.4	9.0	12C9.0	\$ 700.00	2-13/16	A1	J	4-1/16	4-1/2	5-1/16	82	
9.9	9.5	12C9.5	\$ 720.00	2-13/16	A1	J	4-1/16	4-1/2	5-1/16	92	
10.4	10.0	12C10.0	\$ 740.00	2-13/16	A1	J	4-1/16	4-1/2	5-1/16	99	
10.9	10.5	12C10.5	\$ 760.00	2-13/16	A1	J	4-1/16	4-1/2	5-1/16	107	
11.4	11.0	12C11.0	\$ 780.00	2-13/16	A1	J	4-1/16	4-1/2	5-1/16	116	
12.4	12.0	12C12.0	\$ 800.00	2-13/16	A2	J	4-1/16	4-1/2	5-1/16	135	
13.4	13.0	12C13.0	\$ 920.00	2-13/16	A2	J	4-1/16	4-1/2	5-1/16	160	
14.4	14.0	12C14.0	\$1,180.00	2-13/16	A2	J	4-1/16	4-1/2	5-1/16	143	
16.4	16.0	12C16.0	\$1,360.00	2-13/16	A2	J	4-1/16	4-1/2	5-1/16	176	
18.4	18.0	12C18.0	\$1,400.00	2-13/16	A3	J	4-1/16	4-1/2	5-1/16	188	
20.4	20.0	12C20.0	\$1,480.00	15/32	A3	M	1-15/16	6-3/4	5-5/32	292	
24.4	24.0	12C24.0	\$1,520.00	15/32	A3	M	1-15/16	6-3/4	5-5/32	361	
30.4	30.0	12C30.0	\$1,780.00	15/32	A3	M	1-15/16	6-3/4	5-5/32	397	
36.4	36.0	12C36.0	\$2,640.00	15/32	A3	M	1-15/16	6-3/4	5-5/32	483	
44.4	44.0	12C44.0	\$3,200.00	15/32	A3	M	1-15/16	6-3/4	5-5/32	645	
50.0	50.0	12C50.0	\$3,900.00	15/32	A3	M	1-15/16	6-3/4	5-5/32	779	



TYPE A

*E & M Dimension varies according to shaft tolerance

All Dimensions in Inches

Weights are approximate pounds including bushing

** List Prices Shown are for Sheave Only.
Refer to Page 15 for Bushing List Price and Dimensions.