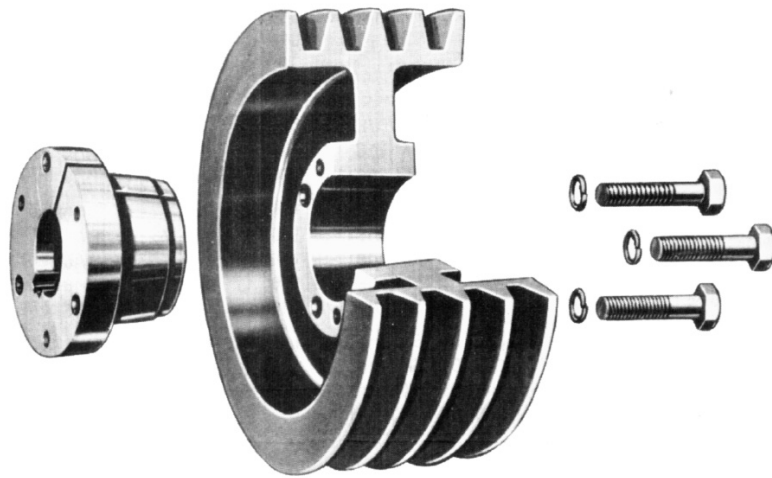


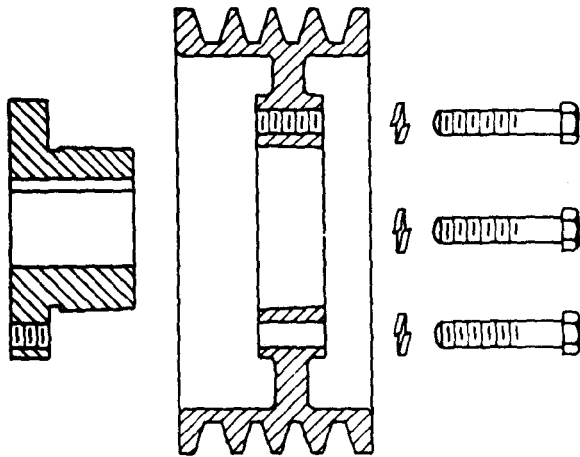


## **MULTI-V FUL-GRIP SHEAVES AND BUSHINGS**

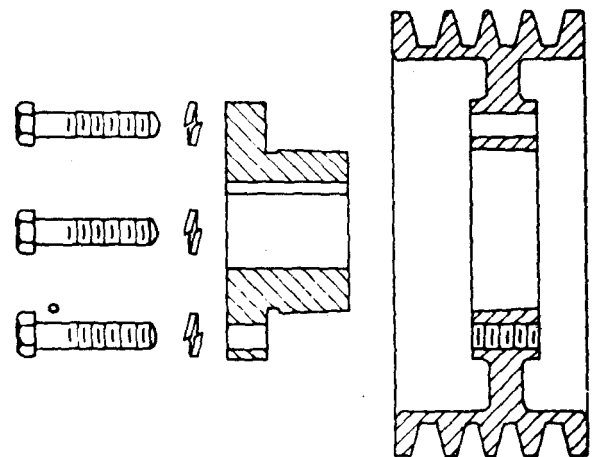


**FUL-GRIP (QD) BUSHINGS**  
**FUL-GRIP (QD) SHEAVES**  
**STANDARD MULTI-V SHEAVES**  
**SPECIAL MADE-TO-ORDER SHEAVES**

Industry puts Maurey sheaves on more drives every year simply because it pays to do so. Machined from close-grained, grey iron castings and statically balanced to MPTA standards, these sheaves will stand up to hard service and provide smooth, quiet-running, belt-saving performance. However, please note that cast iron sheaves cannot exceed 6500 feet per a minute rim speed. Also, special or dynamic balancing should be considered when rim speeds exceed 5000 feet per a minute. Maurey sheaves are available in stock sizes for B, C, D section belts. Maurey also offers special made-to-order items for B, C, D section belts as well. The Ful-Grip bushing system is Maurey's answer to the need for sheaves that are installed, removed, and interchanged with the ultimate in ease and speed. With tapered bores to slip easily over flanged and detachable bushings, tapered to match the rims, Ful-Grips are the adaptability champions. Installation instructions on page 19 show how easily Ful-Grips make it possible to retain the bushing and change the sheave to suit speed, or retain the sheave and change the bushing to fit a different shaft size.



**STANDARD MOUNTING ASSEMBLY**  
Fig. 1



**REVERSE MOUNTING ASSEMBLY**  
Fig. 2

## INSTALLATION AND REMOVAL OF SHEAVES

### INSTALLATION

1. Make sure the bore of the sheave and the tapered cone surface of the bushing are free of all the foreign substances such as paint, dirt, lubricants, etc. Do not use lubricants on installation.
2. Assemble bushings and sheave as shown above in Figures 1 and 2, whichever applies. With cap screws loosely inserted, the bushing remains fully expanded to assume a sliding fit on the shaft. Note: When installing bushings M thru S, locate the extra holes in the hub as far as possible from the bushing's saw cut in order to reduce the possibility of bushing flange breakage. CAUTION: Do not use lubricants on screw threads or tapered surfaces
3. With key on shaft, slide sheave assembly to its desired position with cap screw heads on outside. (Exception: Some shaft lengths may require the sheaves to be reversed with the cap screw heads to the inside - see Figure 2.)
4. Line up the sheave assembly and tighten cap screws evenly and progressively to the torque value listed in the table. Never allow the sheave to be drawn in contact with the bushing flange. There should be a gap of 1/8" to 1/4" between the sheave hub and the bushing flange. If the gap is closed, the shaft is seriously undersize.
5. Tighten the set screw to hold the key securely on the shaft during operation.

CAUTION: When mounting a "FUL-GRIP" bushing, the tightening force of the screws is multiplied many times by the wedging action of the tapered surface. This action compresses the bushing for a snug fit on the shaft. If extreme screw tightening force or lubricants are applied in mounting the "FUL-GRIP" bushing, bursting pressures will be created in the hub of the mounted sheave which may cause it to crack.

Refer to the recommended torque ratings

### REMOVAL

1. Loosen and remove cap screws.
2. Insert cap screws in tapered removal holes and starting with bolt farthest from sawnut on bushing, tighten evenly and progressively until sheave is loose on bushing. If sheaves in Figure 2 are installed with cap screw heads next to motor, loosen cap screws and use a wedge between the bushing and the sheave.
3. Remove sheave and bushing

CAUTION: Excessive or unequal pressure on the jack screws can break the bushing flange

Bushing	Wrench Torque (In.-Lbs)	Wrench Length (Inches)	Wrench Pull (Pounds)
JA	60	4	15
SH	108	4	27
SDS	108	4	27
SDS	108	4	27
SK	180	6	30
SF	360	6	60
E	720	12	60
F	900	12	75
J	1620	12	135
M	2700	15	180
N	3600	15	240
P	5400	18	300
W	7200	24	300
S	9000	30	300

# A-B stock sheave dimensions conventional v-belt drives

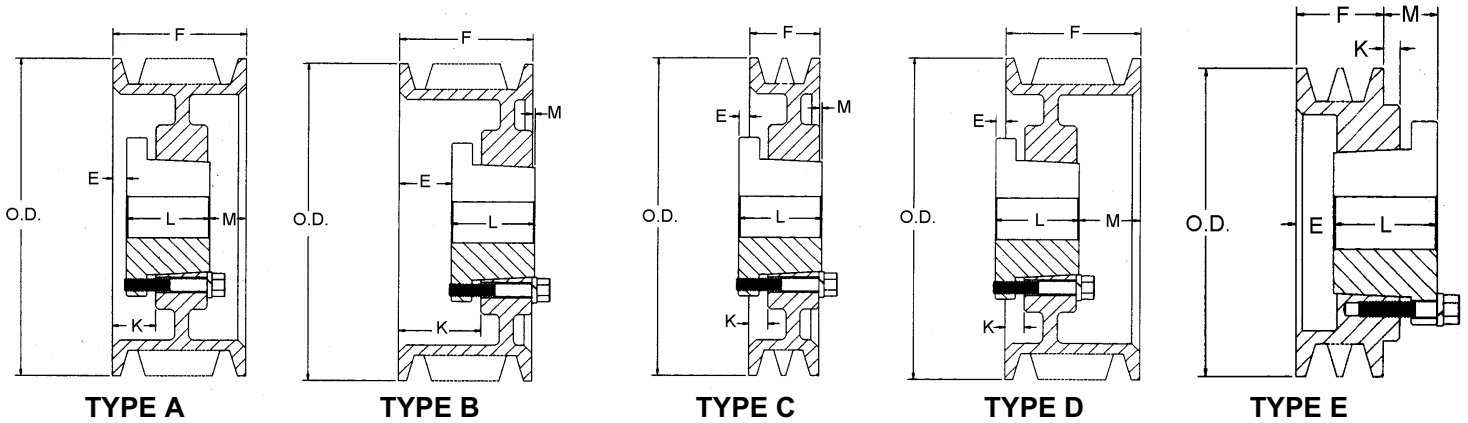


Figure Following Letter in Column Headed "TYPE" in Table Below Indicates Sheave Construction  
1 - Solid, No Web. 2 - Web. 3 - Arms

O.D.	DATUM DIAMETER		1 GROOVE									2 GROOVE								
	A	B	PART NUMBER	LIST** PRICE	F = 7/8 & 1							PART NUMBER	LIST** PRICE	F = 1-3/4						
					E*	TYPE	BUSH.	K	L	M*	WT. LBS			E*	TYPE	BUSH.	K	L	M*	WT.
3.75	3.0	3.4	1B3.4	\$ 26.00	7/16	D1	SH	1/16	1-1/4	1/16	2	2B3.4	\$ 38.00	1	E1	SH	0	1-1/4	1/2	3
3.95	3.2	3.6	1B3.6	\$ 27.00	7/16	D1	SH	1/16	1-1/4	1/16	2	2B3.6	\$ 40.00	5/16	D1	SH	3/16	1-1/4	13/16	4
4.15	3.4	3.8	1B3.8	\$ 28.00	7/16	D1	SH	1/16	1-1/4	1/16	3	2B3.8	\$ 42.00	5/16	D1	SH	3/16	1-1/4	13/16	4
4.35	3.6	4.0	1B4.0	\$ 29.00	3/16	C1	SH	5/16	1-1/4	3/16	3	2B4.0	\$ 44.00	3/16	A1	SH	11/16	1-1/4	5/16	5
4.55	3.8	4.2	1B4.2	\$ 30.00	3/16	C1	SH	5/16	1-1/4	3/16	3	2B4.2	\$ 46.00	3/16	A1	SH	11/16	1-1/4	5/16	5
4.75	4.0	4.4	1B4.4	\$ 31.00	3/16	C1	SH	5/16	1-1/4	3/16	3	2B4.4	\$ 48.00	3/16	A1	SH	11/16	1-1/4	5/16	5
4.95	4.2	4.6	1B4.6	\$ 32.00	1/4	C1	SDS	5/16	1-5/16	3/16	3	2B4.6	\$ 50.00	1/8	A1	SDS	11/16	1-5/16	5/16	5
5.15	4.4	4.8	1B4.8	\$ 33.00	1/4	C1	SDS	5/16	1-5/16	3/16	4	2B4.8	\$ 52.00	1/8	A1	SDS	11/16	1-5/16	5/16	6
5.35	4.6	5.0	1B5.0	\$ 34.00	1/4	C1	SDS	5/16	1-5/16	3/16	4	2B5.0	\$ 54.00	1/8	A1	SDS	11/16	1-5/16	5/16	6
5.55	4.8	5.2	1B5.2	\$ 35.00	1/4	C1	SDS	5/16	1-5/16	3/16	4	2B5.2	\$ 56.00	1/8	A1	SDS	11/16	1-5/16	5/16	7
5.75	5.0	5.4	1B5.4	\$ 36.00	1/4	C2	SDS	5/16	1-5/16	3/16	4	2B5.4	\$ 58.00	1/8	A1	SDS	11/16	1-5/16	5/16	7
5.95	5.2	5.6	1B5.6	\$ 37.00	1/4	C2	SDS	5/16	1-5/16	3/16	4	2B5.6	\$ 60.00	1/8	A1	SDS	11/16	1-5/16	5/16	8
6.15	5.4	5.8	1B5.8	\$ 38.00	1/4	C2	SDS	5/16	1-5/16	3/16	5	2B5.8	\$ 62.00	1/8	A1	SDS	11/16	1-5/16	5/16	8
6.35	5.6	6.0	1B6.0	\$ 40.00	1/4	C2	SDS	5/16	1-5/16	3/16	5	2B6.0	\$ 64.00	1/8	A2	SDS	11/16	1-5/16	5/16	8
6.55	5.8	6.2	1B6.2	\$ 42.00	1/4	C2	SDS	5/16	1-5/16	3/16	5	2B6.2	\$ 66.00	1/8	A2	SDS	11/16	1-5/16	5/16	8
6.75	6.0	6.4	1B6.4	\$ 44.00	1/4	C2	SDS	5/16	1-5/16	3/16	5	2B6.4	\$ 68.00	1/8	A2	SDS	11/16	1-5/16	5/16	8
6.95	6.2	6.6	1B6.6	\$ 48.00	1/4	C2	SDS	5/16	1-5/16	3/16	5	2B6.6	\$ 69.00	1/8	A2	SDS	11/16	1-5/16	5/16	8
7.15	6.4	6.8	1B6.8	\$ 50.00	1/4	C2	SDS	5/16	1-5/16	3/16	5	2B6.8	\$ 70.00	1/8	A2	SDS	11/16	1-5/16	5/16	9
7.35	6.6	7.0	1B7.0	\$ 52.00	7/16	D3	SDS	1/8	1-5/16	1/8	5	2B7.0	\$ 72.00	3/16	D2	SK	7/16	1-7/8	1/16	11
7.75	6.8	7.4	1B7.4	\$ 56.00	7/16	D3	SDS	1/8	1-5/16	1/8	5	2B7.4	\$ 73.00	3/16	D2	SK	7/16	1-7/8	1/16	12
8.35	7.6	8.0	1B8.0	\$ 58.00	7/16	D3	SDS	1/8	1-5/16	1/8	5	2B8.0	\$ 74.00	3/16	D2	SK	7/16	1-7/8	1/16	12
8.95	8.2	8.6	1B8.6	\$ 62.00	7/16	D3	SDS	1/8	1-5/16	1/8	5	2B8.6	\$ 76.00	3/16	D3	SK	7/16	1-7/8	1/16	12
9.75	9.0	9.4	1B9.4	\$ 64.00	7/16	D3	SDS	1/8	1-5/16	1/8	6	2B9.4	\$ 78.00	3/16	D3	SK	7/16	1-7/8	1/16	13
11.35	10.6	11.0	1B11.0	\$ 76.00	7/16	D3	SDS	1/8	1-5/16	1/8	9	2B11.0	\$ 92.00	3/16	D3	SK	7/16	1-7/8	1/16	15
12.75	12.0	12.4	1B12.4	\$ 90.00	7/16	D3	SDS	1/8	1-5/16	1/8	9	2B12.4	\$100.00	3/16	D3	SK	7/16	1-7/8	1/16	17
13.95	13.2	13.6	1B13.6	\$ 96.00	7/16	D3	SDS	1/8	1-5/16	1/8	11	2B13.6	\$120.00	3/16	D3	SK	7/16	1-7/8	1/16	20
15.75	15.0	15.4	1B15.4	\$116.00	1/2	C3	SK	1/8	1-7/8	3/8	13	2B15.4	\$168.00	3/16	D3	SK	7/16	1-7/8	1/16	22
16.35	15.6	16.0	1B16.0	\$136.00	1/2	C3	SK	1/8	1-7/8	3/8	16	2B16.0	\$178.00	3/16	D3	SK	7/16	1-7/8	1/16	25
18.75	18.0	18.4	1B18.4	\$156.00	1/2	C3	SK	1/8	1-7/8	3/8	19	2B18.4	\$224.00	3/16	D3	SK	7/16	1-7/8	1/16	29
20.35	19.6	20.0	1B20.0	\$230.00	1/2	C3	SK	1/8	1-7/8	3/8	25	2B20.0	\$260.00	1/4	C3	SF	1/8	2	0	35
25.35	24.6	25.0										2B25.0	\$396.00	1/4	C3	SF	1/8	2	0	55
30.35	29.6	30.0										2B30.0	\$440.00	1/4	C3	SF	1/8	2	0	75
38.35	37.6	38.0										2B38.0	\$840.00	1/4	C3	SF	1/8	2	0	95

\*E & M Dimension varies according to shaft tolerance

All Dimensions in Inches

Weights are approximate pounds including bushing

\*\*List Prices shown are for sheave only. Bushing list prices are shown on page 15.

# A-B stock sheave dimensions conventional v-belt drives

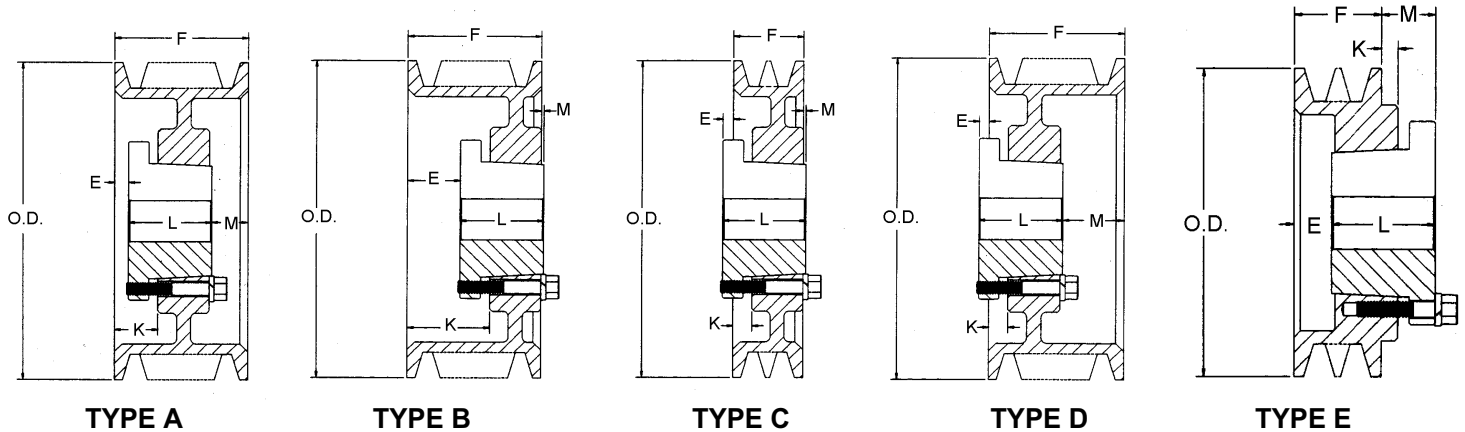


Figure Following Letter in Column Headed "TYPE" in Table Below Indicates Sheave Construction  
1 - Solid, No Web. 2 - Web. 3 - Arms

O.D.	DATUM DIAMETER		3 GROOVE									4 GROOVE								
	A	B	PART NUMBER	LIST** PRICE	F = 2-1/2						PART NUMBER	LIST** PRICE	F = 3-1/4							
					E*	TYPE	BUSH.	K	L	M*			WT. LBS	E*	TYPE	BUSH.	K	L	M*	WT.
3.75	3.0	3.4	3B3.4	\$ 44.00	1-3/4	E1	SH	0	1-1/4	1/2	4	4B3.4	\$ 64.00	2-5/16	E1	SD	5/16	1-13/16	7/8	6
3.95	3.2	3.6	3B3.6	\$ 46.00	5/16	D1	SH	3/16	1-1/4	1-9/16	5	4B3.6	\$ 66.00	2-5/16	E1	SD	5/16	1-13/16	7/8	7
4.15	3.4	3.8	3B3.8	\$ 48.00	5/16	D1	SH	3/16	1-1/4	1-9/16	5	4B3.8	\$ 68.00	2-5/16	E1	SD	5/16	1-13/16	7/8	7
4.35	3.6	4.0	3B4.0	\$ 50.00	9/16	A1	SH	1-1/16	1-1/4	11/16	6	4B4.0	\$ 70.00	2	E1	SD	0	1-13/16	9/16	8
4.55	3.8	4.2	3B4.2	\$ 52.00	9/16	A1	SH	1-1/16	1-1/4	11/16	6	4B4.2	\$ 72.00	2	E1	SD	0	1-13/16	9/16	8
4.75	4.0	4.4	3B4.4	\$ 54.00	9/16	A1	SH	1-1/16	1-1/4	11/16	6	4B4.4	\$ 74.00	2	E1	SD	0	1-13/16	9/16	8
4.95	4.2	4.6	3B4.6	\$ 56.00	1/2	A1	SD	1-1/16	1-13/16	3/16	6	4B4.6	\$ 76.00	3/4	A1	SD	1-5/16	1-13/16	11/16	8
5.15	4.4	4.8	3B4.8	\$ 58.00	1/2	A1	SD	1-1/16	1-13/16	3/16	7	4B4.8	\$ 78.00	3/4	A1	SD	1-5/16	1-13/16	11/16	8
5.35	4.6	5.0	3B5.0	\$ 60.00	1/2	A1	SD	1-1/16	1-13/16	3/16	8	4B5.0	\$ 80.00	3/4	A1	SD	1-5/16	1-13/16	11/16	9
5.55	4.8	5.2	3B5.2	\$ 62.00	1/2	A1	SD	1-1/16	1-13/16	3/16	8	4B5.2	\$ 82.00	3/4	A1	SD	1-5/16	1-13/16	11/16	9
5.75	5.0	5.4	3B5.4	\$ 64.00	1/2	A1	SD	1-1/16	1-13/16	3/16	9	4B5.4	\$ 84.00	3/4	A1	SD	1-5/16	1-13/16	11/16	10
5.95	5.2	5.6	3B5.6	\$ 66.00	1/2	A1	SD	1-1/16	1-13/16	3/16	9	4B5.6	\$ 86.00	3/4	A1	SD	1-5/16	1-13/16	11/16	11
6.15	5.4	5.8	3B5.8	\$ 68.00	1/2	A1	SD	1-1/16	1-13/16	3/16	10	4B5.8	\$ 88.00	3/4	A1	SD	1-5/16	1-13/16	11/16	11
6.35	5.6	6.0	3B6.0	\$ 70.00	1/2	A2	SD	1-1/16	1-13/16	3/16	10	4B6.0	\$ 90.00	3/4	A2	SD	1-5/16	1-13/16	11/16	12
6.55	5.8	6.2	3B6.2	\$ 72.00	1/2	A2	SD	1-1/16	1-13/16	3/16	10	4B6.2	\$ 92.00	3/4	A2	SD	1-5/16	1-13/16	11/16	12
6.75	6.0	6.4	3B6.4	\$ 76.00	1/2	A2	SD	1-1/16	1-13/16	3/16	11	4B6.4	\$ 96.00	3/4	A2	SD	1-5/16	1-13/16	11/16	12
6.95	6.2	6.6	3B6.6	\$ 78.00	1/2	A2	SD	1-1/16	1-13/16	3/16	11	4B6.6	\$100.00	3/4	A2	SD	1-5/16	1-13/16	11/16	13
7.15	6.4	6.8	3B6.8	\$ 80.00	1/2	A2	SD	1-1/16	1-13/16	3/16	12	4B6.8	\$104.00	3/4	A2	SD	1-5/16	1-13/16	11/16	13
7.35	6.6	7.0	3B7.0	\$ 82.00	1/16	A2	SK	11/16	1-7/8	9/16	13	4B7.0	\$108.00	3/8	A2	SK	1	1-7/8	1	15
7.75	6.8	7.4	3B7.4	\$ 84.00	1/16	A2	SK	11/16	1-7/8	9/16	14	4B7.4	\$112.00	3/8	A2	SK	1	1-7/8	1	17
8.35	7.6	8.0	3B8.0	\$ 88.00	1/16	A2	SK	11/16	1-7/8	9/16	14	4B8.0	\$116.00	3/8	A2	SK	1	1-7/8	1	17
8.95	8.2	8.6	3B8.6	\$ 96.00	1/16	A3	SK	11/16	1-7/8	9/16	15	4B8.6	\$124.00	3/8	A3	SK	1	1-7/8	1	17
9.75	9.0	9.4	3B9.4	\$104.00	1/16	A3	SK	11/16	1-7/8	9/16	16	4B9.4	\$138.00	3/8	A3	SK	1	1-7/8	1	18
11.35	10.6	11.0	3B11.0	\$124.00	1/16	A3	SK	11/16	1-7/8	9/16	20	4B11.0	\$152.00	3/8	A3	SK	1	1-7/8	1	21
12.75	12.0	12.4	3B12.4	\$144.00	1/16	A3	SK	11/16	1-7/8	9/16	20	4B12.4	\$170.00	3/8	A3	SK	1	1-7/8	1	25
13.95	13.2	13.6	3B13.6	\$156.00	1/16	A3	SK	11/16	1-7/8	9/16	24	4B13.6	\$204.00	3/8	A3	SK	1	1-7/8	1	27
15.75	15.0	15.4	3B15.4	\$200.00	1/16	A3	SK	11/16	1-7/8	9/16	29	4B15.4	\$224.00	3/8	A3	SF	1	2	7/8	42
16.35	15.6	16.0	3B16.0	\$212.00	1/16	A3	SK	11/16	1-7/8	9/16	32	4B16.0	\$244.00	3/8	A3	SF	1	2	7/8	41
18.75	18.0	18.4	3B18.4	\$244.00	1/16	A3	SK	11/16	1-7/8	9/16	35	4B18.4	\$260.00	3/8	A3	SF	1	2	7/8	41
20.35	19.6	20.0	3B20.0	\$324.00	0	A3	SF	5/8	2	1/2	44	4B20.0	\$364.00	3/8	A3	SF	1	2	7/8	55
25.35	24.6	25.0	3B25.0	\$440.00	0	A3	SF	5/8	2	1/2	67	4B25.0	\$480.00	1/8	A3	E	1	2-5/8	1/2	90
30.35	29.6	30.0	3B30.0	\$500.00	0	A3	SF	5/8	2	1/2	81	4B30.0	\$560.00	1/8	A3	E	1	2-5/8	1/2	104
38.35	37.6	38.0	3B38.0	\$880.00	1/4	D3	E	5/8	2-5/8	1/2	122	4B38.0	\$980.00	1/8	A3	E	1	2-5/8	1/2	145

\*E & M Dimension varies according to shaft tolerance

All Dimensions in Inches

Weights are approximate pounds including bushing

\*\*List Prices shown are for sheave only. Bushing list prices are shown on page 15.

# A-B stock sheave dimensions conventional v-belt drives

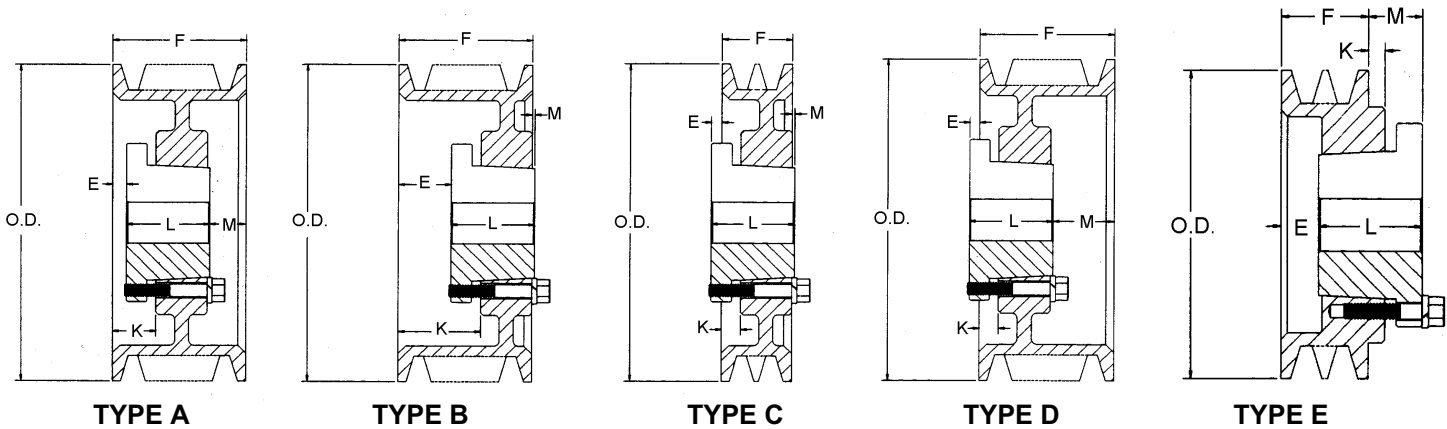


Figure Following Letter in Column Headed "TYPE" in Table Below Indicates Sheave Construction  
1 - Solid, No Web. 2 - Web. 3 - Arms

O.D.	DATUM DIAMETER		5 GROOVE									6 GROOVE								
	A	B	PART NUMBER	LIST** PRICE	F = 4					WT. LBS	PART NUMBER	LIST** PRICE	F = 4-3/4					WT. LBS		
					E*	TYPE	BUSH.	K	L				M*	E*	TYPE	BUSH.	K		L	M*
3.75	3.0	3.4	5B3.4	\$ 74.00	3-1/16	E1	SD	5/16	1-13/16	7/8	6	6B3.4	\$ 98.00	1-13/16	E1	SD	5/16	1-13/16	7/8	6
3.95	3.2	3.6	5B3.6	\$ 76.00	3-1/16	E1	SD	5/16	1-13/16	7/8	7	6B3.6	\$ 100.00	1-13/16	E1	SD	5/16	1-13/16	7/8	7
4.15	3.4	3.8	5B3.8	\$ 78.00	3-1/16	E1	SD	5/16	1-13/16	7/8	8	6B3.8	\$ 102.00	1-13/16	E1	SD	5/16	1-13/16	7/8	7
4.35	3.6	4.0	5B4.0	\$ 80.00	2-3/4	E1	SD	0	1-13/16	9/16	8	6B4.0	\$ 104.00	3-1/2	E1	SD	0	1-13/16	9/16	8
4.55	3.8	4.2	3B4.2	\$ 82.00	2-3/4	E1	SD	0	1-13/16	9/16	9	6B4.2	\$ 106.00	3-1/2	E1	SD	0	1-13/16	9/16	9
4.75	4.0	4.4	5B4.4	\$ 84.00	2-3/4	E1	SD	0	1-13/16	9/16	9	6B4.4	\$ 110.00	3-1/2	E1	SD	0	1-13/16	9/16	10
4.95	4.2	4.6	5B4.6	\$ 86.00	3/4	A1	SD	1-5/16	1-13/16	1-7/16	9	6B4.6	\$ 112.00	3/4	A1	SD	1-5/16	1-13/16	2-3/16	10
5.15	4.4	4.8	5B4.8	\$ 90.00	3/4	A1	SD	1-5/16	1-13/16	1-7/16	9	6B4.8	\$ 114.00	3/4	A1	SD	1-5/16	1-13/16	2-3/16	11
5.35	4.6	5.0	5B5.0	\$ 92.00	3/4	A1	SD	1-5/16	1-13/16	1-7/16	10	6B5.0	\$ 116.00	3/4	A1	SD	1-5/16	1-13/16	2-3/16	12
5.55	4.8	5.2	5B5.2	\$ 94.00	3/4	A1	SD	1-5/16	1-13/16	1-7/16	11	6B5.2	\$ 118.00	3/4	A1	SD	1-5/16	1-13/16	2-3/16	13
5.75	5.0	5.4	5B5.4	\$ 96.00	11/16	A1	SK	1-5/16	1-7/8	1-7/16	13	6B5.4	\$ 120.00	11/16	A1	SK	1-5/16	1-7/8	2-3/16	15
5.95	5.2	5.6	5B5.6	\$ 98.00	11/16	A1	SK	1-5/16	1-7/8	1-7/16	14	6B5.6	\$ 122.00	11/16	A1	SK	1-5/16	1-7/8	2-3/16	16
6.15	5.4	5.8	5B5.8	\$ 100.00	11/16	A1	SK	1-5/16	1-7/8	1-7/16	15	6B5.8	\$ 124.00	11/16	A1	SK	1-5/16	1-7/8	2-3/16	16
6.35	5.6	6.0	5B6.0	\$ 106.00	11/16	A1	SK	1-5/16	1-7/8	1-7/16	12	6B6.0	\$ 126.00	11/16	A1	SK	1-5/16	1-7/8	2-3/16	13
6.55	5.8	6.2	5B6.2	\$ 112.00	11/16	A1	SK	1-5/16	1-7/8	1-7/16	13	6B6.2	\$ 130.00	11/16	A1	SK	1-5/16	1-7/8	2-3/16	15
6.75	6.0	6.4	5B6.4	\$ 116.00	11/16	A1	SK	1-5/16	1-7/8	1-7/16	14	6B6.4	\$ 134.00	11/16	A1	SK	1-5/16	1-7/8	2-3/16	16
6.95	6.2	6.6	5B6.6	\$ 120.00	11/16	A1	SK	1-5/16	1-7/8	1-7/16	14	6B6.6	\$ 138.00	11/16	A1	SK	1-5/16	1-7/8	2-3/16	16
7.15	6.4	6.8	5B6.8	\$ 124.00	11/16	A1	SK	1-5/16	1-7/8	1-7/16	16	6B6.8	\$ 142.00	11/16	A1	SK	1-5/16	1-7/8	2-3/16	17
7.35	6.6	7.0	5B7.0	\$ 132.00	11/16	A1	SF	1-5/16	2	1-5/16	18	6B7.0	\$ 150.00	1-1/16	A1	SF	1-11/16	2	1-11/16	19
7.75	6.8	7.4	5B7.4	\$ 150.00	11/16	A1	SF	1-5/16	2	1-5/16	19	6B7.4	\$ 204.00	1-1/16	A1	SF	1-11/16	2	1-11/16	20
8.35	7.6	8.0	5B8.0	\$ 154.00	11/16	A2	SF	1-5/16	2	1-5/16	19	6B8.0	\$ 208.00	1-1/16	A2	SF	1-11/16	2	1-11/16	20
8.95	8.2	8.6	5B8.6	\$ 164.00	11/16	A3	SF	1-5/16	2	1-5/16	20	6B8.6	\$ 220.00	1-1/16	A3	SF	1-11/16	2	1-11/16	22
9.75	9.0	9.4	5B9.4	\$ 172.00	11/16	A3	SF	1-5/16	2	1-5/16	23	6B9.4	\$ 230.00	1-1/16	A3	SF	1-11/16	2	1-11/16	25
11.35	10.6	11.0	5B11.0	\$ 194.00	11/16	A3	SF	1-5/16	2	1-5/16	25	6B11.0	\$ 248.00	1-1/16	A3	SF	1-11/16	2	1-11/16	29
12.75	12.0	12.4	5B12.4	\$ 208.00	11/16	A3	SF	1-5/16	2	1-5/16	29	6B12.4	\$ 276.00	1-1/16	A3	SF	1-11/16	2	1-11/16	33
13.95	13.2	13.6	5B13.6	\$ 240.00	11/16	A3	SF	1-5/16	2	1-5/16	35	6B13.6	\$ 280.00	1-1/16	A3	SF	1-11/16	2	1-11/16	39
15.75	15.0	15.4	5B15.4	\$ 268.00	11/16	A3	SF	1-5/16	2	1-5/16	44	6B15.4	\$ 300.00	1-1/16	A3	SF	1-11/16	2	1-11/16	45
16.35	15.6	16.0	5B16.0	\$ 294.00	11/16	A3	SF	1-5/16	2	1-5/16	45	6B16.0	\$ 328.00	1-1/16	A3	SF	1-11/16	2	1-11/16	53
18.75	18.0	18.4	5B18.4	\$ 316.00	11/16	A3	SF	1-5/16	2	1-5/16	47	6B18.4	\$ 348.00	1-1/16	A3	SF	1-11/16	2	1-11/16	61
20.35	19.6	20.0	5B20.0	\$ 390.00	3/8	A3	E	1-1/4	2-5/8	1	68	6B20.0	\$ 464.00	1/2	A3	E	1-3/8	2	1-5/8	78
25.35	24.6	25.0	5B25.0	\$ 500.00	3/8	A3	E	1-1/4	2-5/8	1	98	6B25.0	\$ 580.00	1/2	A3	E	1-3/8	2	1-5/8	101
30.35	29.6	30.0	5B30.0	\$ 696.00	3/8	A3	E	1-1/4	2-5/8	1	123	6B30.0	\$ 780.00	1/2	A3	E	1-3/8	2	1-5/8	131
38.35	37.6	38.0	5B38.0	\$ 1,080.00	3/8	A3	E	1-1/4	2-5/8	1	163	6B38.0	\$1,120.00	1/2	A3	E	1-3/8	2-5/8	1-5/8	177

\*E & M Dimension varies according to shaft tolerance

All Dimensions in Inches

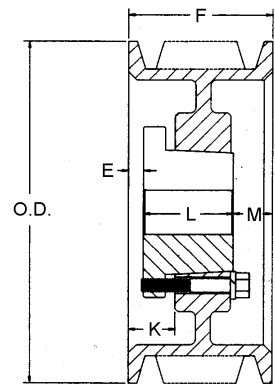
Weights are approximate pounds including bushing

\*\*List Prices shown are for sheave only. Bushing list prices are shown on page 15.

Figure Following Letter in Column Headed "TYPE" in Table Below Indicates Sheave Construction  
1 - Solid, No Web. 2 - Web. 3 - Arms

O.D.	DATUM DIAMETER		7 GROOVE									8 GROOVE								
	A BELTS	B BELTS	PART NUMBER	LIST** PRICE	F = 5-1/2						PART NUMBER	LIST** PRICE	F = 6-1/4							
					E*	TYPE	BUSH.	K	L	M*			WT. LBS	E*	TYPE	BUSH.	K	L	M*	WT. LBS
5.75	5.0	5.4	7B5.4	\$ 180.00	1-3/32	A1	SK	1-13/16	1-7/8	2-17/32	15	8B5.4	\$ 180.00	1-3/32	A1	SK	1-13/16	1-7/8	3-9/32	16
5.95	5.2	5.6	7B5.6	\$ 184.00	1-3/32	A1	SK	1-13/16	1-7/8	2-17/32	16	8B5.6	\$ 184.00	1-3/32	A1	SK	1-13/16	1-7/8	3-9/32	21
6.15	5.4	5.8	7B5.8	\$ 188.00	1-3/32	A1	SK	1-13/16	1-7/8	2-17/32	17	8B5.8	\$ 188.00	1-3/32	A1	SK	1-13/16	1-7/8	3-9/32	19
6.35	5.6	6.0	7B6.0	\$ 192.00	1-1/8	A1	SF	1-13/16	2	2-3/8	18	8B6.0	\$ 192.00	1-1/8	A1	SF	1-13/16	2	3-1/8	20
6.55	5.8	6.2	7B6.2	\$ 196.00	1-1/8	A1	SF	1-13/16	2	2-3/8	20	8B6.2	\$ 196.00	1-3/16	A1	SF	1-13/16	2	3-1/8	22
6.75	6.0	6.4	7B6.4	\$ 200.00	1-1/8	A1	SF	1-13/16	2	2-3/8	20	8B6.4	\$ 200.00	1-3/16	A1	SF	1-13/16	2	3-1/8	22
6.95	6.2	6.6	7B6.6	\$ 208.00	1-1/8	A1	SF	1-13/16	2	2-3/8	21	8B6.6	\$ 208.00	1-3/16	A1	SF	1-13/16	2	3-1/8	23
7.15	6.4	6.8	7B6.8	\$ 212.00	1-1/8	A1	SF	1-13/16	2	2-3/8	23	8B6.8	\$ 212.00	1-3/16	A1	SF	1-13/16	2	3-1/8	24
7.35	6.6	7.0	7B7.0	\$ 260.00	1-1/8	A2	SF	1-13/16	2	2-3/8	24	8B7.0	\$ 260.00	1-3/16	A2	SF	1-13/16	2	3-1/8	26
7.75	6.8	7.4	7B7.4	\$ 284.00	1-1/8	A2	SF	1-13/16	2	2-3/8	26	8B7.4	\$ 284.00	1-3/16	A2	SF	1-13/16	2	3-1/8	28
8.95	8.2	8.6	7B8.6	\$ 292.00	1-3/32	A1	E	2	2-5/8	1-25/32	38	8B8.6	\$ 292.00	1-15/32	A1	E	2-3/8	2-5/8	2-5/32	41
9.75	9.0	9.4	7B9.4	\$ 300.00	1-3/32	A2	E	2	2-5/8	1-25/32	40	8B9.4	\$ 300.00	1-15/32	A2	E	2-3/8	2-5/8	2-5/32	42
11.35	10.6	11.0	7B11.0	\$ 356.00	1-3/32	A2	E	2	2-5/8	1-25/32	49	8B11.0	\$ 356.00	1-15/32	A2	E	2-3/8	2-5/8	2-5/32	52
12.75	12.0	12.4	7B12.4	\$ 372.00	1-3/32	A2	E	2	2-5/8	1-25/32	57	8B12.4	\$ 372.00	1-15/32	A2	E	2-3/8	2-5/8	2-5/32	60
13.95	13.2	13.6	7B13.6	\$ 452.00	1-3/32	A3	E	2	2-5/8	1-25/32	56	8B13.6	\$ 452.00	1-15/32	A3	E	2-3/8	2-5/8	2-5/32	60
15.75	15.0	15.4	7B15.4	\$ 500.00	1-3/32	A3	E	2	2-5/8	1-25/32	67	8B15.4	\$ 500.00	1-15/32	A3	E	2-3/8	2-5/8	2-5/32	71
16.35	15.6	16.0	7B16.0	\$ 572.00	1-3/32	A3	E	1-5/16	2-5/8	1-25/32	71	8B16.0	\$ 572.00	1-15/32	A3	E	2-3/8	2-5/8	2-5/32	74
18.75	18.0	18.4	7B18.4	\$ 636.00	1/4	A3	F	1-5/16	3-5/8	1-5/8	103	8B18.4	\$ 636.00	1/4	A3	F	1-5/16	3-5/8	2-3/8	112
20.35	19.6	20.0	7B20.0	\$ 692.00	1/4	A3	F	1-5/16	3-5/8	1-5/8	106	8B20.0	\$ 690.00	1/4	A3	F	1-5/16	3-5/8	2-3/8	113
25.35	24.6	25.0	7B25.0	\$ 880.00	1/4	A3	F	1-5/16	3-5/8	1-5/8	137	8B25.0	\$ 880.00	1/4	A3	F	1-5/16	3-5/8	2-3/8	146
30.35	29.6	30.0	7B30.0	\$1,260.00	1/4	A3	F	1-5/16	3-5/8	1-5/8	172	8B30.0	\$1,260.00	1/4	A3	F	1-5/16	3-5/8	2-3/8	183
38.35	37.6	38.0	7B38.0	\$1,740.00	1/4	A3	F	1-5/16	3-5/8	1-5/8	243	8B38.0	\$1,740.00	1/4	A3	F	1-5/16	3-5/8	2-3/8	247

O.D.	DATUM DIAMETER		10 GROOVE								
	A BELTS	B BELTS	PART NUMBER	LIST** PRICE	F = 7-3/4						WT. LBS
					E*	TYPE	BUSH.	K	L	M*	
5.75	5.0	5.4	10B5.4	\$ 280.00	1-27/32	A1	SK	2-9/16	1-7/8	4-1/32	19
5.95	5.2	5.6	10B5.6	\$ 288.00	1-27/32	A1	SK	2-9/16	1-7/8	4-1/32	21
6.15	5.4	5.8	10B5.8	\$ 296.00	1-27/32	A1	SK	2-9/16	1-7/8	4-1/32	22
6.35	5.6	6.0	10B6.0	\$ 304.00	1-7/8	A1	SF	2-9/16	2	3-7/8	23
6.55	5.8	6.2	10B6.2	\$ 312.00	1-7/8	A1	SF	2-9/16	2	3-7/8	25
6.75	6.0	6.4	10B6.4	\$ 320.00	1-7/8	A1	SF	2-9/16	2	3-7/8	26
6.95	6.2	6.6	10B6.6	\$ 332.00	1-7/8	A1	SF	2-9/16	2	3-7/8	27
7.15	6.4	6.8	10B6.8	\$ 344.00	1-7/8	A1	SF	2-9/16	2	3-7/8	28
7.35	6.6	7.0	10B7.0	\$ 352.00	1-7/8	A2	SF	2-9/16	2	3-7/8	30
7.75	6.8	7.4	10B7.4	\$ 360.00	1-7/8	A2	SF	2-9/16	2	3-7/8	32
8.95	8.2	8.6	10B8.6	\$ 372.00	2-7/32	A1	E	3-1/8	2-5/8	2-29/32	46
9.75	9.0	9.4	10B9.4	\$ 420.00	2-7/32	A2	E	3-1/8	2-5/8	2-29/32	47
11.35	10.6	11.0	10B11.0	\$ 520.00	2-7/32	A2	E	3-1/8	2-5/8	2-29/32	59
12.75	12.0	12.4	10B12.4	\$ 532.00	2-7/32	A2	E	3-1/8	2-5/8	2-29/32	67
13.95	13.2	13.6	10B13.6	\$ 636.00	1	A3	F	2-1/16	3-5/8	3-1/8	84
15.75	15.0	15.4	10B15.4	\$ 680.00	1	A3	F	2-1/16	3-5/8	3-1/8	96
16.35	15.6	16.0	10B16.0	\$ 760.00	1	A3	F	2-1/16	3-5/8	3-1/8	100
18.75	18.0	18.4	10B18.4	\$ 800.00	1	A3	F	2-1/16	3-5/8	3-1/8	126
20.35	19.6	20.0	10B20.0	\$ 860.00	1	A3	F	2-1/16	3-5/8	3-1/8	127
25.35	24.6	25.0	10B25.0	\$1,160.00	1	A3	F	2-1/16	3-5/8	3-1/8	165
30.35	29.6	30.0	10B30.0	\$1,380.00	1	A3	F	2-1/16	3-5/8	3-1/8	220
38.35	37.6	38.0	10B38.0	\$1,780.00	5/16	A3	J	1-9/16	4-1/2	2-15/16	306



TYPE A

\*E & M Dimension varies according to shaft tolerance

All Dimensions in Inches

Weights are approximate pounds including bushing

\*\*List Prices shown are for sheave only.  
Bushing list prices are shown on page 15.