



## POSITIVE DRIVE PULLEYS

### Smooth, slip-proof power transmission

Maurey Positive Drives combine the grip of gear and chain plus the flexibility of belts.

### Wide range of speed and horsepower

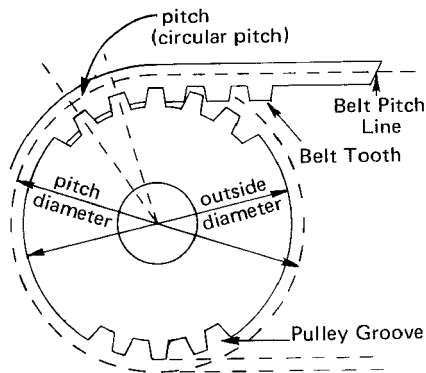
On drives from fractional horsepower to 600 horsepower and more, Maurey Positive Drives excel. Belt speed ranges from 100 fpm to 10,000.

### High Horsepower in compact size.

Load carrying fiberglass cables combine enormous tensile strength, high flex life and resistance to elongation. Results? High horsepower-to-weight and h.p.-to-size ratio.

### Low cost power transmission

Maurey Positive Drive does not rely on friction. Therefore, high initial belt tension is not needed. Thus minimum bearing load all the time and low heat build up while the drive runs.



### Positive Drive Pulleys

Maurey Positive Drive pulleys are made in five stock pitches to conform with the five stock pitches of the belts. They are available in a wide range of stock widths and stock diameters. On the belt, pitch is the distance between the tooth centers and is measured on the pitch line of the belt. On the pulley, pitch is the distance between groove centers and is measured on the pulleys pitch circle.

### Alterations

Maurey will customize your Positive Drive needs to suit the application in which it is used. See list prices for below for various alteration charges

Rebore Minimum Plain Bore - List Price \$40.00

Keyway - List Price \$9.00

Set Screw - List Price \$9.00

Contact Maurey Customer Service for quantity breaks for alterations

## 3/8" pitch (L) stock pulley dimensions positive drive pulleys

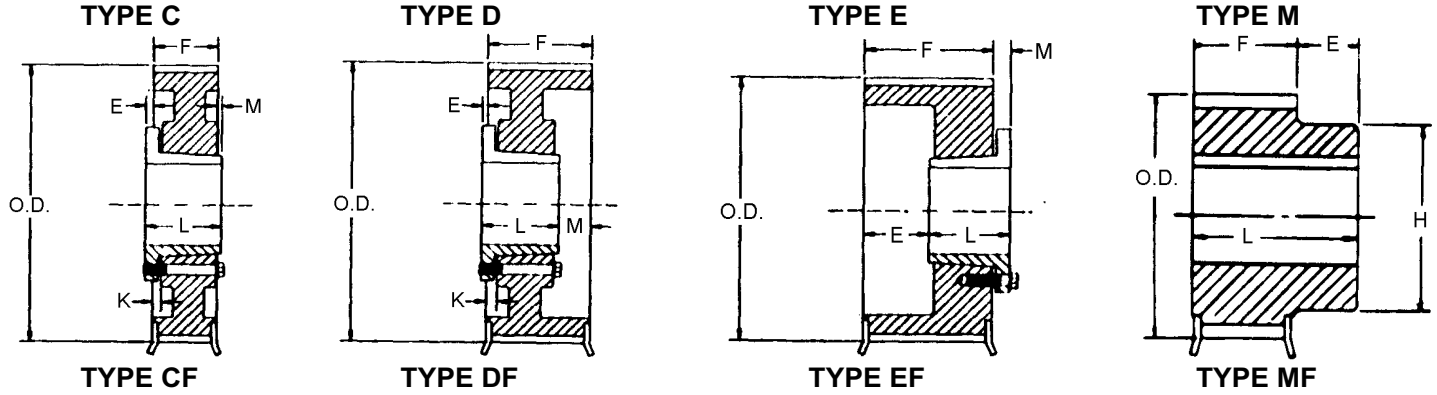
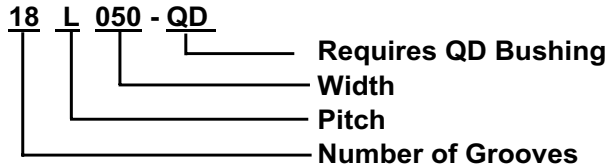


Figure Following Letter in Column Headed "TYPE" in Table Below Indicates Sheave Construction  
 1 - Solid, No Web. 2 - Web. 3 - Arms "F" Indicates Flanged Pulley

### Part Number Explanation



### FOR BELTS 1/2 INCH WIDE • 3/8 INCH PITCH (L050)

Part Number	List** Price	Number of Grooves	Pitch Diameter	Outside Diameter		Bush	Type*	Dimensions, Inches						Bore Range		Weight Lbs □ (Approx.)
				Pulley	Flange			E	L	M	K	H	F	Min	Max •	
10L050MPB	\$ 14.60	10	1.194	1.164	1-7/16	*	M1F	3/8	1-1/8			13/16	3/4	3/8	9/16	.28
12L050MPB	\$ 16.10	12	1.432	1.402	1-11/16	*	M1F	1/2	1-1/4			1-1/16	3/4	3/8	13/16	.30
13L050MPB	\$ 17.20	13	1.552	1.522	1-3/4	*	M1F	1/2	1-1/4			1-1/8	3/4	3/8	13/16	.35
14L050MPB	\$ 18.80	14	1.671	1.641	1-15/16	*	M1F	5/8	1-1/4			1-1/8	3/4	3/8	7/8	.40
15L050MPB	\$ 19.50	15	1.790	1.760	1-15/16	*	M1F	1/2	1-1/4			1-1/8	3/4	1/2	15/16	.50
16L050MPB	\$ 20.60	16	1.910	1.880	2-3/16	*	M1F	5/8	1-3/8			1-7/16	3/4	1/2	1-1/8	.60
17L050MPB	\$ 21.80	17	2.029	1.999	2-3/16	*	M1F	5/8	1-3/8			1-7/16	3/4	1/2	1-1/8	.65
18L050MPB	\$ 24.80	18	2.149	2.119	2-3/8	*	M1F	5/8	1-3/8			1-9/16	3/4	1/2	1-3/16	.75
18L050QD	\$ 28.80	18	2.149	2.119	2-3/8	JA	E1F	3/16	1	7/16		3/4	1/2	1-3/16	.40	
19L050MPB	\$ 26.60	19	2.268	2.238	2-3/8	*	M1F	5/8	1-3/8			1-5/8	3/4	1/2	1-3/16	.80
20L050MPB	\$ 27.00	20	2.837	2.357	2-5/8	*	M1F	5/8	1-3/8			1-11/16	3/4	1/2	1-1/4	.94
20L050QD	\$ 29.60	20	2.837	2.357	2-5/8	JA	E1F	3/16	1	7/16		3/4	1/2	1-3/16	.50	
21L050MPB	\$ 27.40	21	2.507	2.477	2-3/4	*	M1F	11/16	1-7/16			1-7/8	3/4	1/2	1-5/16	1.0
22L050MPB	\$ 29.20	22	2.626	2.596	3	*	M1F	3/4	1-1/2			2	3/4	1/2	1-1/2	1.1
22L050QD	\$ 31.20	22	2.626	2.596	3	JA	E1F	3/16	1	7/16		3/4	1/2	1-3/16	.70	
24L050MPB	\$ 31.90	24	2.865	2.835	3-1/4	*	M1F	3/4	1-1/2			2-1/4	3/4	1/2	1-5/8	1.6
24L050QD	\$ 29.20	24	2.865	2.835	3-1/4	SH	E1F	0	1-1/4	1/2		3/4	1/2	1-5/8	.70	
26L050MPB	\$ 34.50	26	3.104	3.074	3-5/16	*	M1F	3/4	1-1/2			2-1/4	3/4	1/2	1-5/8	2.3
26L050QD	\$ 30.40	26	3.104	3.074	3-5/16	SH	C1F	1/2	1-1/4	0	0	3/4	1/2	1-5/8	1.0	
28L050MPB	\$ 37.10	28	3.342	3.312	3-9/16	*	M1F	3/4	1-1/2			2-1/4	3/4	1/2	1-5/8	2.5
28L050QD	\$ 33.00	28	3.342	3.312	3-9/16	SH	C1F	1/2	1-1/4	0	0	3/4	1/2	1-5/8	1.1	
30L050MPB	\$ 41.60	30	3.581	3.551	3-3/4	*	M1F	3/4	1-1/2			2-1/4	3/4	1/2	1-5/8	2.7
30L050QD	\$ 33.40	30	3.581	3.551	3-3/4	SDS	C1F	9/16	1-5/16	0	0	3/4	1/2	1-15/16	1.1	
32L050MPB	\$ 45.40	32	3.820	3.790	4	*	M1F	7/8	1-5/8			2-9/16	3/4	1/2	1-7/8	3.0
32L050QD	\$ 36.40	32	3.820	3.790	4	SDS	C1F	9/16	1-5/16	0	0	3/4	1/2	1-15/16	1.4	
36L050QD	\$ 60.80	36	4.297	4.267	4-17/32	SDS	C1F	9/16	1-5/16	0	0	3/4	1/2	1-15/16	2.0	
40L050QD	\$ 66.80	40	4.775	4.745	5	SDS	D1F	9/16	1-5/16	0	0	3/4	1/2	1-15/16	2.8	
44L050QD	\$ 68.60	44	5.252	5.222	5-31/64	SDS	C1F	9/16	1-5/16	0	0	3/4	1/2	1-15/16	3.6	
48L050QD	\$ 80.60	48	5.730	5.700	6	SDS	D1F	9/16	1-5/16	0	0	3/4	1/2	1-15/16	4.4	
60L050QD	\$ 82.80	60	7.162	7.132		SD	C3	13/16	1-13/16	1/4	+1/4	3/4	1/2	1-15/16	4.2	
72L050QD	\$ 84.80	72	8.594	8.564		SD	C3	13/16	1-13/16	1/4	+1/4	3/4	1/2	1-15/16	6.6	
84L050QD	\$ 91.20	84	10.027	9.997		SD	C3	13/16	1-13/16	1/4	+1/4	3/4	1/2	1-15/16	5.8	
96L050QD	\$ 96.60	96	11.459	11.429		SD	C3	13/16	1-13/16	1/4	+1/4	3/4	1/2	1-15/16	7.4	
120L050QD	\$ 105.60	120	14.324	14.294		SD	C3	13/16	1-13/16	1/4	+1/4	3/4	1/2	1-15/16	10.0	

\* Bored to suit construction (Type M) minimum plain bore only carried in stock □ Weight shown is for pulley without bushing  
 • Maximum bore without keyway \*\* List Prices Shown are for Sheave Only. Refer to Page 15 for Bushing List Price and Dimensions.

## 3/8" pitch (L) stock pulley dimensions positive drive pulleys

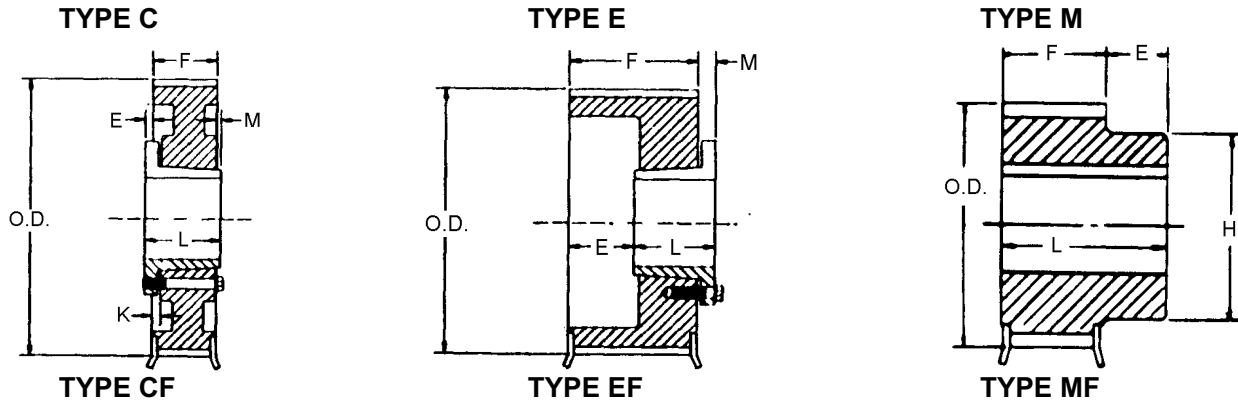
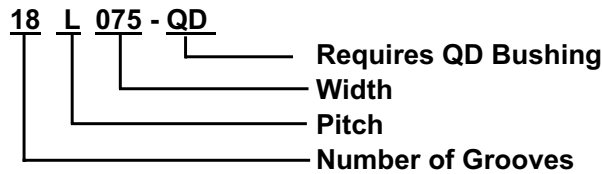


Figure Following Letter in Column Headed "TYPE" in Table Below Indicates Sheave Construction  
 1 - Solid, No Web. 2 - Web. 3 - Arms "F" Indicates Flanged Pulley

### Part Number Explanation



### FOR BELTS 3/4 INCH WIDE • 3/8 INCH PITCH (L075)

Part Number	List** Price	Number of Grooves	Pitch Diameter	Outside Diameter		Bush	Type	Dimensions, Inches						Bore Range		Weight Lbs □ (Approx.)	
				Pulley	Flange			E	L	M	K	H	F	Min	Max *		
12L075MPB	\$ 19.50	12	1.432	1.402	1-11/16	*	M1F	1/2	1-1/2				1-1/16	1	3/8	13/16	.4
13L075MPB	\$ 20.30	13	1.522	1.552	1-11/16	*	M1F	1/2	1-1/2				1-1/8	1	3/8	13/16	.4
14L075MPB	\$ 21.30	14	1.671	1.641	1-15/16	*	M1F	1/2	1-1/2				1-1/8	1	3/8	7/8	.5
15L075MPB	\$ 22.10	15	1.790	1.760	1-15/16	*	M1F	1/2	1-1/2				1-1/8	1	1/2	7/8	.6
16L075MPB	\$ 22.80	16	1.910	1.880	2-3/16	*	M1F	5/8	1-5/8				1-7/16	1	1/2	1-1/8	.7
17L075MPB	\$ 24.00	17	2.029	1.999	2-3/16	*	M1F	1/2	1-1/2				1-7/16	1	1/2	1-1/8	.8
18L075MPB	\$ 27.40	18	2.149	2.119	2-3/8	*	M1F	5/8	1-5/8				1-9/16	1	1/2	1-3/16	.9
18L075QD	\$ 30.40	18	2.149	2.119	2-3/8	JAr	E1F	7/16	1	7/16			1	1/2	1-3/16	.5	
19L075MPB	\$ 28.10	19	2.268	2.238	2-3/8	*	M1F	5/8	1-5/8				1-5/8	1	1/2	1-3/16	1.1
20L075MPB	\$ 28.50	20	2.387	2.357	2-5/8	*	M1F	5/8	1-5/8				1-11/16	1	1/2	1-1/4	1.5
20L075QD	\$ 31.60	20	2.387	2.357	2-5/8	JAr	E1F	7/16	1	7/16			1	1/2	1-3/16	.7	
21L075MPB	\$ 30.00	21	2.507	2.477	2-3/4	*	M1F	5/8	1-5/8				1-7/8	1	1/2	1-5/16	1.6
22L075MPB	\$ 31.90	22	2.626	2.596	3	*	M1F	3/4	1-3/4				2	1	1/2	1-1/2	1.8
22L075QD	\$ 34.20	22	2.626	2.596	3	JAr	E1F	7/16	1	7/16			1	1/2	1-3/16	.8	
24L075MPB	\$ 36.00	24	2.865	2.835	3-1/4	*	M1F	3/4	1-3/4				2-1/4	1	5/8	1-5/8	2.1
24L075QD	\$ 32.40	24	2.865	2.835	3-1/4	SH	E1F	3/16	1-1/4	1/2			1	1/2	1-5/8	.8	
26L075MPB	\$ 38.60	26	3.104	3.074	3-5/16	*	M1F	3/4	1-3/4				2-1/4	1	5/8	1-5/8	2.8
26L075QD	\$ 34.60	26	3.104	3.074	3-5/16	SH	E1F	3/16	1-1/4	1/2			1	1/2	1-5/8	1.1	
28L075MPB	\$ 42.40	28	3.342	3.312	3-9/16	*	M1F	3/4	1-3/4				2-1/4	1	5/8	1-5/8	3.1
28L075QD	\$ 37.60	28	3.342	3.312	3-9/16	SH	E1F	3/16	1-1/4	1/2			1	1/2	1-5/8	1.3	
30L075MPB	\$ 47.60	30	3.581	3.551	3-3/4	*	M1F	3/4	1-3/4				2-1/4	1	5/8	1-5/8	3.4
30L075QD	\$ 39.60	30	3.581	3.551	3-3/4	SDS	E1F	1/4	1-5/16	9/16			1	1/2	1-15/16	1.5	
32L075MPB	\$ 51.80	32	3.820	3.790	4	*	M1F	7/8	1-7/8				2-9/16	1	5/8	1-7/8	3.7
32L075QD	\$ 42.20	32	3.820	3.790	4	SDS	E1F	1/4	1-5/16	9/16			1	1/2	1-15/16	1.7	
36L075QD	\$ 66.80	36	4.297	4.267	4-17/32	SDS	C1F	5/16	1-5/16	0	1/4		1	1/2	1-15/16	2.3	
40L075QD	\$ 68.00	40	4.775	4.745	5	SDS	C1F	5/16	1-5/16	0	1/4		1	1/2	1-15/16	3.1	
44L075QD	\$ 73.60	44	5.252	5.222	5-31/64	SDS	C1F	5/16	1-5/16	0	1/4		1	1/2	1-15/16	4.0	
48L075QD	\$ 82.40	48	5.730	5.700	6	SDS	C1F	5/16	1-5/16	0	1/4		1	1/2	1-15/16	4.6	
60L075QD	\$ 85.20	60	7.162	7.132		SD	C3	11/16	1-13/16	1/8	+1/8		1	1/2	1-15/16	4.7	
72L075QD	\$ 88.20	72	8.594	8.564		SD	C3	11/16	1-13/16	1/8	+1/8		1	1/2	1-15/16	6.5	
84L075QD	\$ 92.00	84	10.027	9.997		SD	C3	11/16	1-13/16	1/8	+1/8		1	1/2	1-15/16	6.3	
96L075QD	\$ 98.80	96	11.459	11.429		SD	C3	11/16	1-13/16	1/8	+1/8		1	1/2	1-15/16	9.4	
120L075QD	\$ 108.00	120	14.324	14.294		SD	C3	11/16	1-13/16	1/8	+1/8		1	1/2	1-15/16	13.8	

\*Bored to suit construction (Type M) minimum plain bore only carried in stock □ Weight shown is for pulley without bushing  
 \*\* List Prices Shown are for Sheave Only. Refer to Page 15 for Bushing List Price and Dimensions.  
 "r" = Reverse mount only

• Maximum bore without keyway

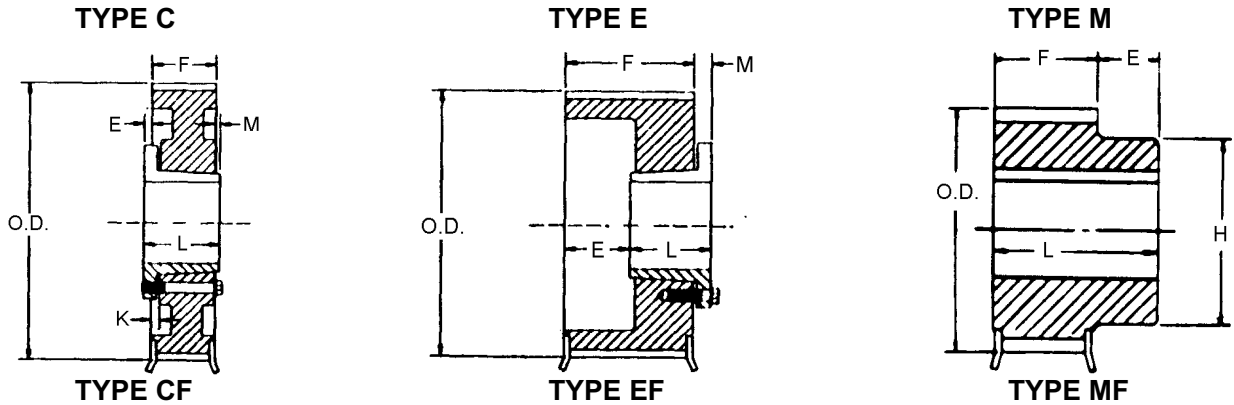
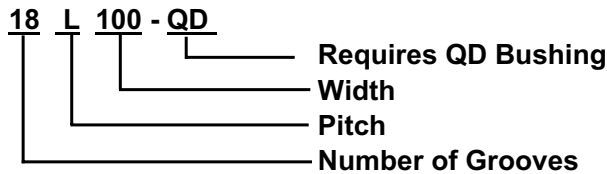


Figure Following Letter in Column Headed "TYPE" in Table Below Indicates Sheave Construction  
1 - Solid, No Web. 2 - Web. 3 - Arms "F" Indicates Flanged Pulley

### Part Number Explanation



### FOR BELTS 1 INCH WIDE • 3/8 INCH PITCH (L100)

Part Number	List** Price	Number of Grooves	Pitch Diameter	Outside Diameter		Bush	Type	Dimensions, Inches						Bore Range		Weight Lbs □ (Approx.)	
				Pulley	Flange			E	L	M	K	H	F	Min	Max •		
13L100MPB	\$ 22.50	13	1.552	1.522	1-3/4	*	M1F	1/2	1-3/4				1-1/8	1-1/4	3/8	7/8	.5
14L100MPB	\$ 23.30	14	1.671	1.641	1-15/16	*	M1F	1/2	1-3/4				1-1/8	1-1/4	3/8	7/8	.6
15L100MPB	\$ 24.00	15	1.790	1.760	1-15/16	*	M1F	1/2	1-3/4				1-1/8	1-1/4	1/2	7/8	.7
16L100MPB	\$ 24.80	16	1.910	1.880	2-3/16	*	M1F	5/8	1-7/8				1-7/16	1-1/4	1/2	1-1/8	.8
17L100MPB	\$ 26.30	17	2.029	1.999	2-3/16	*	M1F	1/2	1-3/4				1-7/16	1-1/4	1/2	1-1/8	1.0
18L100MPB	\$ 29.60	18	2.149	2.119	2-3/8	*	M1F	5/8	1-7/8				1-5/8	1-1/4	1/2	1-3/16	1.1
18L100QD	\$ 33.20	18	2.149	2.119	2-3/8	JAr	E1F	11/16	1	7/16			1-1/4	1/2	1-3/16	.7	
19L100MPB	\$ 31.10	19	2.268	2.238	2-3/8	*	M1F	5/8	1-7/8				1-3/4	1-1/4	1/2	1-3/16	1.4
20L100MPB	\$ 31.50	20	2.387	2.357	2-5/8	*	M1F	5/8	1-7/8				1-11/16	1-1/4	1/2	1-1/4	1.75
20L100QD	\$ 34.60	20	2.387	2.357	2-5/8	JAr	E1F	11/16	1	7/16			1-1/4	1/2	1-3/16	.9	
21L100MPB	\$ 31.90	21	2.507	2.477	2-3/4	*	M1F	5/8	1-7/8				1-7/8	1-1/4	5/8	1-5/16	1.8
22L100MPB	\$ 34.90	22	2.626	2.596	3	*	M1F	3/4	2				2	1-1/4	5/8	1-1/2	2.0
22L100QD	\$ 36.80	22	2.626	2.596	3	JAr	E1F	11/16	1	7/16			1-1/4	1/2	1-3/16	1.0	
24L100MPB	\$ 39.00	24	2.865	2.835	3-1/4	*	M1F	3/4	2				2-1/4	1-1/4	5/8	1-5/8	2.5
24L100QD	\$ 35.00	24	2.865	2.835	3-1/4	SH	E1F	7/16	1-1/4	1/2			1-1/4	1/2	1-5/8	1.0	
26L100MPB	\$ 42.00	26	3.104	3.074	3-5/16	*	M1F	7/8	2-1/8				2-1/2	1-1/4	5/8	1-7/8	3.3
26L100QD	\$ 37.60	26	3.104	3.074	3-5/16	SH	E1F	7/16	1-1/4	1/2			1-1/4	1/2	1-5/8	1.3	
28L100MPB	\$ 45.40	28	3.342	3.312	3-9/16	*	M1F	1	2-1/4				2-1/2	1-1/4	5/8	2	3.6
28L100QD	\$ 39.60	28	3.342	3.312	3-9/16	SH	E1F	7/16	1-1/4	1/2			1-1/4	1/2	1-5/8	1.7	
30L100MPB	\$ 51.40	30	3.581	3.551	3-3/4	*	M1F	1	2-1/4				2-15/16	1-1/4	5/8	2-1/8	4.0
30L100QD	\$ 43.00	30	3.581	3.551	3-3/4	SDS	E1F	1/2	1-5/16	9/16			1-1/4	1/2	1-15/16	2.0	
32L100MPB	\$ 56.60	32	3.820	3.790	4	*	M1F	1	2-1/4				3-1/8	1-1/4	5/8	1-7/8	4.4
32L100QD	\$ 46.40	32	3.820	3.790	4	SDS	E1F	1/2	1-5/16	9/16			1-1/4	1/2	1-15/16	2.1	
36L100QD	\$ 68.20	36	4.297	4.267	4-17/32	SDS	C1F	5/16	1-5/16	0	1/2		1-1/4	1/2	1-15/16	2.6	
40L100QD	\$ 68.40	40	4.775	4.745	5	SDS	C1F	1/16	1-5/16	0	1/2		1-1/4	1/2	1-15/16	3.4	
44L100QD	\$ 77.60	44	5.252	5.222	5-31/64	SDS	C1F	1/16	1-5/16	0	1/2		1-1/4	1/2	1-15/16	4.2	
48L100QD	\$ 85.80	48	5.730	5.700	6	SDS	C1F	1/16	1-5/16	0	1/2		1-1/4	1/2	1-15/16	5.1	
60L100QD	\$ 88.60	60	7.162	7.132		SD	C3	9/16	1-13/16	0	0		1-1/4	1/2	1-15/16	6.0	
72L100QD	\$ 92.00	72	8.594	8.564		SD	C3	9/16	1-13/16	0	0		1-1/4	1/2	1-15/16	7.5	
84L100QD	\$ 96.20	84	10.027	9.997		SD	C3	9/16	1-13/16	0	0		1-1/4	1/2	1-15/16	6.9	
96L100QD	\$ 103.40	96	11.459	11.429		SD	C3	9/16	1-13/16	0	0		1-1/4	1/2	1-15/16	11.2	
120L100QD	\$ 113.60	120	14.324	14.294		SD	C3	9/16	1-13/16	0	0		1-1/4	1/2	1-15/16	16.0	

\*Bored to suit construction (Type M) minimum plain bore only carried in stock □ Weight shown is for pulley without bushing  
 "r" = Reverse mount only \*\* List Prices Shown are for Sheave Only. Refer to Page 15 for Bushing List Price and Dimensions.  
 • Maximum bore without keyway