



POSITIVE DRIVE PULLEYS

Smooth, slip-proof power transmission

Maurey Positive Drives combine the grip of gear and chain plus the flexibility of belts.

Wide range of speed and horsepower

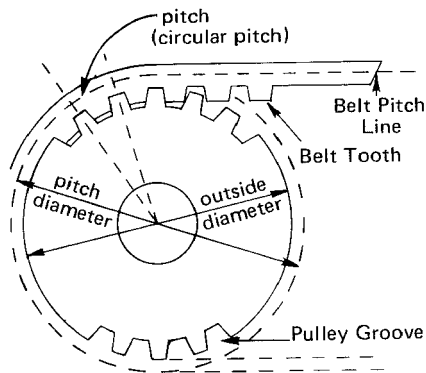
On drives from fractional horsepower to 600 horsepower and more, Maurey Positive Drives excel. Belt speed ranges from 100 fpm to 10,000.

High Horsepower in compact size.

Load carrying fiberglass cables combine enormous tensile strength, high flex life and resistance to elongation. Results? High horsepower-to-weight and h.p.-to-size ratio.

Low cost power transmission

Maurey Positive Drive does not rely on friction. Therefore, high initial belt tension is not needed. Thus minimum bearing load all the time and low heat build up while the drive runs.



Positive Drive Pulleys

Maurey Positive Drive pulleys are made in five stock pitches to conform with the five stock pitches of the belts. They are available in a wide range of stock widths and stock diameters. On the belt, pitch is the distance between the tooth centers and is measured on the pitch line of the belt. On the pulley, pitch is the distance between groove centers and is measured on the pulleys pitch circle.

Alterations

Maurey will customize your Positive Drive needs to suit the application in which it is used. See list prices for below for various alteration charges

Rebore Minimum Plain Bore - List Price \$40.00

Keyway - List Price \$9.00

Set Screw - List Price \$9.00

Contact Maurey Customer Service for quantity breaks for alterations

1/2" pitch (H) stock pulley dimensions positive drive pulleys

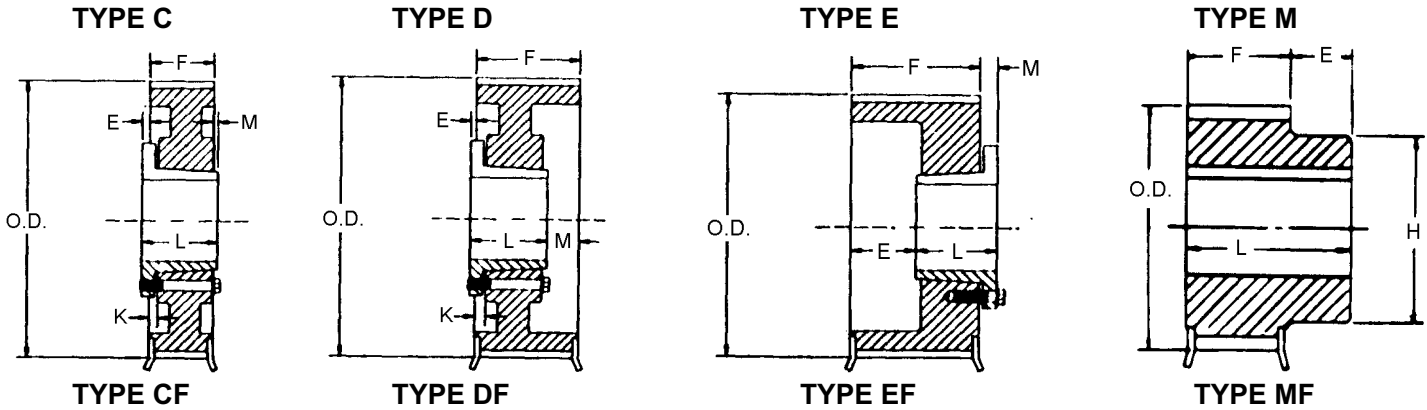
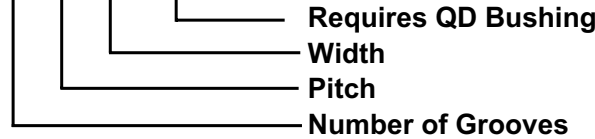


Figure Following Letter in Column Headed "TYPE" in Table Below Indicates Sheave Construction
 1 - Solid, No Web. 2 - Web. 3 - Arms "F" Indicates Flanged Pulley

Part Number Explanation

18 H 100 - QD



FOR BELTS 1 INCH WIDE • 1/2 INCH PITCH (H100) ALSO USE FOR 3/4 INCH (H075) BELTS

Part Number	List** Price	Number of Grooves	Pitch Diameter	Outside Diameter		Bush	Type	Dimensions, Inches						Bore Range		Weight Lbs □ (Approx.)
				Pulley	Flange			E	L	M	K	H	F	Min	Max •	
14H100MPB	\$ 31.90	14	2.228	2.174	2-3/8	*	M1F	5/8	1-15/16			1-1/2	1-5/16	5/8	1	1.4
14H100QD	\$ 30.40	14	2.228	2.174	2-3/8	JAr	E1F	3/4	1	7/16			1-5/16	1/2	1-3/16	1.0
16H100MPB	\$ 37.10	16	2.546	2.492	2-3/4	*	M1F	11/16	2			2	1-5/16	5/8	1-1/4	2.0
16H100QD	\$ 35.00	16	2.546	2.492	2-3/4	JAr	E1F	3/4	1	7/16			1-5/16	1/2	1-3/16	1.5
17H100MPB	\$ 42.00	17	2.706	2.652	3	*	M1F	11/16	2			2	1-5/16	5/8	1-1/4	2.6
18H100MPB	\$ 45.00	18	2.865	2.811	3-1/4	*	M1F	11/16	2			2-1/4	1-5/16	5/8	1-1/2	2.8
18H100QD	\$ 33.20	18	2.865	2.811	3-1/4	SH	E1F	9/16	1-1/4	1/2			1-5/16	1/2	1-5/8	1.2
19H100MPB	\$ 48.40	19	3.024	2.970	3-1/4	*	M1F	13/16	2-1/8			2-1/4	1-5/16	5/8	1-9/16	2.9
20H100MPB	\$ 50.20	20	3.183	3.129	3-5/16	*	M1F	7/8	2-3/16			2-1/2	1-5/16	5/8	1-5/8	3.4
20H100QD	\$ 41.00	20	3.183	3.129	3-5/16	SH	E1F	9/16	1-1/4	1/2			1-5/16	1/2	1-5/8	1.2
21H100MPB	\$ 54.70	21	3.342	3.288	3-9/16	*	M1F	1	2-5/16			2-1/2	1-5/16	3/4	1-11/16	3.8
22H100MPB	\$ 61.90	22	3.501	3.447	3-3/4	*	M1F	1	2-5/16			2-7/8	1-5/16	3/4	1-7/8	4.3
22H100QD	\$ 45.60	22	3.501	3.447	3-3/4	SDS	E1F	9/16	1-5/16	9/16			1-5/16	1/2	1-15/16	1.4
24H100MPB	\$ 65.60	24	3.820	3.766	4	*	M1F	1	2-5/16			3-1/8	1-5/16	3/4	2-1/8	5.3
24H100QD	\$ 50.60	24	3.820	3.766	4	SDS	E1F	9/16	1-5/16	9/16			1-5/16	1/2	1-15/16	1.7
26H100MPB	\$ 66.80	26	4.138	4.084	4-3/8	*	M1F	1-1/8	2-7/16			3-1/2	1-5/16	3/4	2-1/2	6.7
26H100QD	\$ 57.80	26	4.138	4.084	4-3/8	SDS	D1F	1/16	1-5/16	9/16	1/2		1-5/16	1/2	1-15/16	2.0
28H100MPB	\$ 73.50	28	4.456	4.402	4-11/16	*	M1F	1-1/8	2-7/16			3-5/8	1-5/16	3/4	2-5/8	8.0
28H100QD	\$ 61.60	28	4.456	4.402	4-11/16	SDS	D1F	1/16	1-5/16	1/16	1/2		1-5/16	1/2	1-15/16	2.6
30H100QD	\$ 66.60	30	4.775	4.721	5	SD	D1F	9/16	1-13/16	1/16	0		1-5/16	1/2	1-15/16	3.0
32H100QD	\$ 71.40	32	5.093	5.039	5-5/16	SK	D1F	5/8	1-7/8	1/16	0		1-5/16	1/2	2-1/2	4.9
36H100QD	\$ 79.40	36	5.730	5.678	5-61/64	SK	D1F	5/8	1-7/8	1/16	0		1-5/16	1/2	2-1/2	3.6
40H100QD	\$ 93.40	40	6.366	6.312	6-9/16	SK	D1F	5/8	1-7/8	1/16	0		1-5/16	1/2	2-1/2	8.2
44H100QD	\$ 104.80	44	7.003	6.953	7-1/4	SK	D1F	5/8	1-7/8	1/16	0		1-5/16	1/2	2-1/2	10.0
48H100QD	\$ 114.00	48	7.639	7.585	7-7/8	SK	D2F	5/8	1-7/8	1/16	0		1-5/16	1/2	2-1/2	12.5
60H100QD	\$ 117.00	60	9.549	9.495		SF	C3	5/8	2	1/16	0		1-5/16	1/2	2-3/4	10.9
72H100QD	\$ 142.60	72	11.459	11.405		SF	C3	5/8	2	1/16	0		1-5/16	1/2	2-3/4	14.7
84H100QD	\$ 168.00	84	13.369	13.315		SF	C3	5/8	2	1/16	0		1-5/16	1/2	2-3/4	18.0
96H100QD	\$ 190.00	96	15.279	15.225		SF	C3	5/8	2	1/16	0		1-5/16	1/2	2-3/4	22.0
120H100QD	\$ 241.00	120	19.099	19.045		SF	C3	5/8	2	1/16	0		1-5/16	1/2	2-3/4	30.5
156H100QD	\$ 317.00	156	24.828	24.774		SF	C3	9/16	2	1/16	1/16		1-3/8	1/2	2-3/4	43.7

*Bored to suit construction (Type M) minimum plain bore only carried in stock □ Weight shown is for pulley without bushing
 "r" = Reverse mount only ** List Prices Shown are for Sheave Only. Refer to Page 15 for Bushing List Price and Dimensions.

• Maximum bore without keyway

1/2" pitch (H) stock pulley dimensions positive drive pulleys

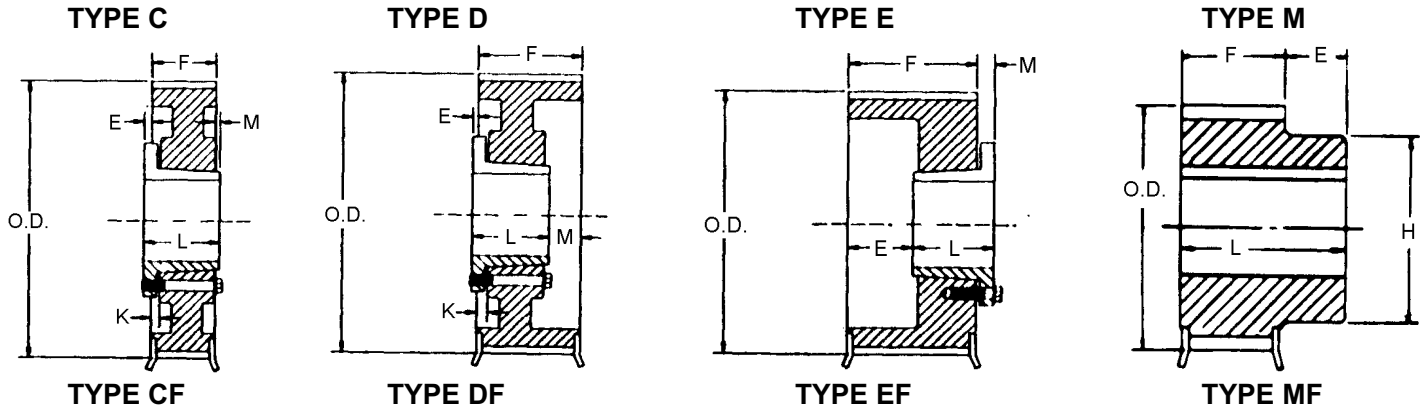
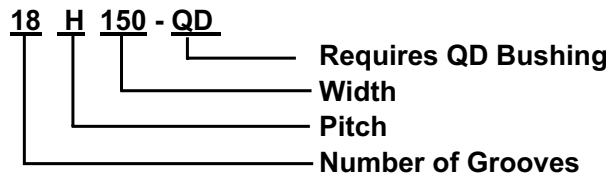


Figure Following Letter in Column Headed "TYPE" in Table Below Indicates Sheave Construction
1 - Solid, No Web. 2 - Web. 3 - Arms "F" Indicates Flanged Pulley

Part Number Explanation



FOR BELTS 1-1/2 INCH WIDE • 1/2 INCH PITCH (H150)

Part Number	List** Price	Number of Grooves	Pitch Diameter	Outside Diameter		Bush	Type	Dimensions, Inches						Bore Range		Weight Lbs □ (Approx.)
				Pulley	Flange			E	L	M	K	H	F	Min	Max *	
14H150MPB	\$ 39.00	14	2.228	2.174	2-3/8	*	M1F	5/8	2-7/16			1-1/2	1-13/16	3/4	1	1.8
14H150QD	\$ 40.20	14	2.228	2.174	2-3/8	JAr	E1F	1-1/4	1	7/16			1-13/16	1/2	1-3/16	1.5
16H150MPB	\$ 44.30	16	2.546	2.492	2-3/4	*	M1F	3/4	2-9/16			2	1-13/16	3/4	1-1/4	2.5
16H150QD	\$ 44.00	16	2.546	2.492	2-3/4	JAr	E1F	1-1/4	1	7/16			1-13/16	1/2	1-3/16	2.0
17H150MPB	\$ 48.80	17	2.706	2.652	3	*	M1F	3/4	2-9/16			2	1-13/16	3/4	1-1/4	2.8
18H150MPB	\$ 56.20	18	2.865	2.811	3-1/4	*	M1F	3/4	2-9/16			2-1/4	1-13/16	3/4	1-1/2	3.3
18H150QD	\$ 45.60	18	2.865	2.811	3-1/4	SHr	E1F	1-1/16	1-1/4	1/2			1-13/16	1/2	1-5/8	1.3
19H150MPB	\$ 60.00	19	3.024	2.970	3-1/4	*	M1F	7/8	2-5/8			2-1/4	1-13/16	3/4	1-9/16	3.9
20H150MPB	\$ 61.80	20	3.183	3.129	3-5/16	*	M1F	7/8	2-11/16			2-1/2	1-13/16	3/4	1-5/8	4.3
20H150QD	\$ 51.00	20	3.183	3.129	3-5/16	SHr	E1F	1-1/16	1-1/4	1/2			1-13/16	1/2	1-5/8	1.8
21H150MPB	\$ 66.40	21	3.342	3.288	3-9/16	*	M1F	15/16	2-3/4			2-1/2	1-13/16	3/4	1-11/16	5.3
22H150MPB	\$ 75.40	22	3.501	3.447	3-3/4	*	M1F	1	2-13/16			2-7/8	1-13/16	3/4	1-7/8	5.4
22H150QD	\$ 57.00	22	3.501	3.447	3-3/4	SDr	E1F	9/16	1-13/16	9/16			1-13/16	1/2	1-15/16	2.0
24H150MPB	\$ 81.80	24	3.820	3.766	4	*	M1F	1	2-13/16			3-1/8	1-13/16	3/4	2-1/8	6.5
24H150QD	\$ 61.60	24	3.820	3.766	4	SDr	E1F	9/16	1-13/16				1-13/16	1/2	1-15/16	2.6
26H150MPB	\$ 83.30	26	4.138	4.084	4-3/8	*	M1F	1	2-13/16			3-1/2	1-13/16	3/4	2-1/2	8.4
26H150QD	\$ 68.40	26	4.138	4.084	4-3/8	SD	D1F	1/16	1-13/16	1/16	1/2		1-13/16	1/2	1-15/16	3.0
28H150MPB	\$ 90.70	28	4.456	4.402	4-11/16	*	M1F	1-1/8	2-15/16			3-5/8	1-13/16	3/4	2-5/8	9.3
28H150QD	\$ 72.20	28	4.456	4.402	4-11/16	SD	D1F	1/16	1-13/16	1/16	1/2		1-13/16	1/2	1-15/16	4.0
30H150QD	\$ 77.60	30	4.775	4.721	5	SD	D1F	1/16	1-13/16	1/16	1/2		1-13/16	1/2	1-15/16	4.9
32H150QD	\$ 83.60	32	5.093	5.039	5-5/16	SK	C1F	1/16	1-7/8	0	9/16		1-13/16	1/2	2-1/2	5.8
36H150QD	\$ 91.40	36	5.730	5.678	5-61/64	SK	C1F	1/16	1-7/8	0	9/16		1-13/16	1/2	2-1/2	7.0
40H150QD	\$ 104.20	40	6.366	6.312	6-9/16	SK	C1F	1/16	1-7/8	0	9/16		1-13/16	1/2	2-1/2	9.2
44H150QD	\$ 116.80	44	7.003	6.953	7-1/4	SK	C1F	1/16	1-7/8	0	9/16		1-13/16	1/2	2-1/2	11.0
48H150QD	\$ 127.00	48	7.639	7.585	7-7/8	SK	C2F	1/16	1-7/8	0	9/16		1-13/16	1/2	2-1/2	13.7
60H150QD	\$ 143.60	60	9.549	9.495		SF	D3	3/8	2	3/16	1/4		1-13/16	1/2	2-3/4	12.5
72H150QD	\$ 158.80	72	11.459	11.405		SF	D3	3/8	2	3/16	1/4		1-13/16	1/2	2-3/4	16.7
84H150QD	\$ 178.60	84	13.369	13.315		SF	D3	3/8	2	3/16	1/4		1-13/16	1/2	2-3/4	20.8
96H150QD	\$ 215.00	96	15.279	15.225		SF	D3	3/8	2	3/16	1/4		1-13/16	1/2	2-3/4	25.0
120H150QD	\$ 271.40	120	19.099	19.045		SF	D3	3/8	2	3/16	1/4		1-13/16	1/2	2-3/4	34.5
156H150QD	\$ 355.00	156	24.828	24.774		SF	D3	5/16	2	3/16	5/16		1-7/8	1/2	2-3/4	49.5

*Bored to suit construction (Type M) minimum plain bore only carried in stock □ Weight shown is for pulley without bushing

"r" = Reverse mount only

** List Prices Shown are for Sheave Only. Refer to Page 15 for Bushing List Price and Dimensions.

• Maximum bore without keyway

1/2" pitch (H) stock pulley dimensions positive drive pulleys

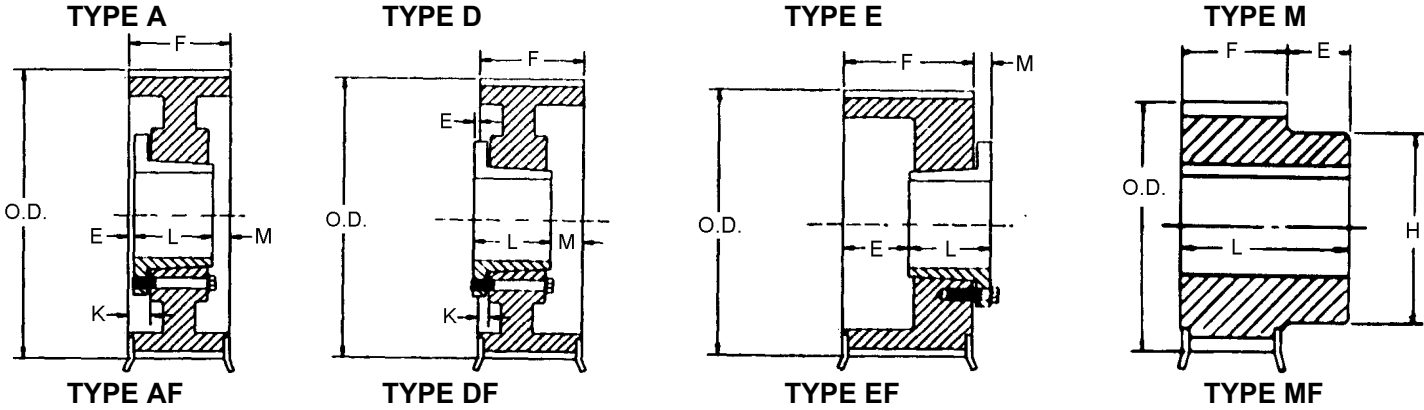
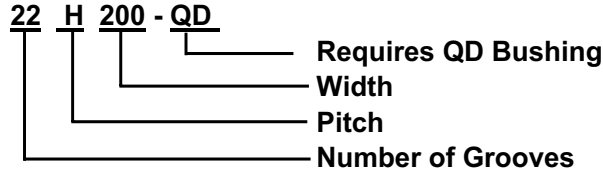


Figure Following Letter in Column Headed "TYPE" in Table Below Indicates Sheave Construction
 1 - Solid, No Web. 2 - Web. 3 - Arms "F" Indicates Flanged Pulley

Part Number Explanation



FOR BELTS 2 INCH WIDE • 1/2 INCH PITCH (H200)

Part Number	List** Price	Number of Grooves	Pitch Diameter	Outside Diameter		Bush	Type	Dimensions, Inches						Bore Range		Weight Lbs □ (Approx.)
				Pulley	Flange			E	L	M	K	H	F	Min	Max *	
14H200MPB	\$ 61.90	14	2.228	2.174	2-3/8	*	M1F	5/8	2-31/32			1-1/2	2-11/32	3/4	1	2.2
14H200QD	\$ 50.20	14	2.228	2.174	2-3/8	JAr	E1F	1-25/32	1	7/16		2	2-11/32	5/8	1-3/16	2.0
16H200MPB	\$ 69.00	16	2.546	2.492	2-3/4	*	M1F	3/4	3-3/32				2-11/32	3/4	1-1/4	3.1
16H200QD	\$ 52.20	16	2.546	2.492	2-3/4	JAr	E1F	1-25/32	1	7/16			2-11/32	5/8	1-3/16	2.6
17H200MPB	\$ 74.00	17	2.706	2.652	3	*	M1F	3/4	3-3/32			2	2-11/32	3/4	1-1/4	3.4
18H200MPB	\$ 74.60	18	2.865	2.811	3-1/4	*	M1F	3/4	3-3/32			2-1/4	2-11/32	3/4	1-1/2	3.7
18H200QD	\$ 58.60	18	2.865	2.811	3-1/4	SHr	E1F	1-19/32	1-1/4	1/2			2-11/32	1/2	1-5/8	1.6
19H200MPB	\$ 78.40	19	3.024	2.970	3-1/4	*	M1F	7/8	3-5/32			2-1/4	2-11/32	3/4	1-9/16	3.9
20H200MPB	\$ 79.90	20	3.183	3.129	3-5/16	*	M1F	7/8	3-5/32			2-1/2	2-11/32	3/4	1-5/8	4.9
20H200QD	\$ 64.60	20	3.183	3.129	3-5/16	SHr	E1F	1-19/32	1-1/4	1/2			2-11/32	1/2	1-5/8	2.2
21H200MPB	\$ 83.60	21	3.342	3.288	3-9/16	*	M1F	7/8	3-5/32			2-1/4	2-11/32	1	1-11/16	6.1
22H200MPB	\$ 85.90	22	3.501	3.447	3-3/4	*	M1F	1	3-11/32			2-7/8	2-11/32	1	1-7/8	6.3
22H200QD	\$ 66.80	22	3.501	3.447	3-3/4	SDr	E1F	1-3/32	1-13/16	9/16			2-11/32	1/2	1-15/16	2.5
24H200MPB	\$ 93.00	24	3.820	3.766	4	*	M1F	1	3-11/32			3-1/8	2-11/32	1	2-1/8	7.5
24H200QD	\$ 71.40	24	3.820	3.766	4	SDr	E1F	1-3/32	1-13/16	9/16			2-11/32	1/2	1-15/16	3.0
26H200MPB	\$ 100.50	26	4.138	4.084	4-3/8	*	M1F	1-1/8	3-15/32			3-1/2	2-11/32	1	2-1/2	9.5
26H200QD	\$ 77.60	26	4.138	4.084	4-3/8	SD	A1F	1/16	1-13/16	15/32	5/8		2-11/32	1/2	1-15/16	3.9
28H200MPB	\$ 114.00	28	4.456	4.402	4-11/16	*	M1F	1-1/8	3-15/32			3-5/8	2-11/32	1	2-5/8	11.0
28H200QD	\$ 82.80	28	4.456	4.402	4-11/16	SD	A1F	1/16	1-13/16	15/32	5/8		2-11/32	1/2	1-15/16	4.7
30H200QD	\$ 89.00	30	4.775	4.721	5	SD	D1F	1/16	1-13/16	19/32	1/2		2-11/32	1/2	1-15/16	5.7
32H200QD	\$ 93.40	32	5.093	5.039	5-5/16	SK	D1F	1/8	1-7/8	19/32	1/2		2-11/32	1/2	2-1/2	6.7
36H200QD	\$ 115.20	36	5.730	5.678	5-61/64	SK	D1F	1/8	1-7/8	19/32	1/2		2-11/32	1/2	2-1/2	8.0
40H200QD	\$ 135.00	40	6.366	6.312	6-9/16	SK	D1F	1/8	1-7/8	19/32	1/2		2-11/32	1/2	2-1/2	10.2
44H200QD	\$ 139.60	44	7.003	6.953	7-1/4	SK	D1F	1/8	1-7/8	19/32	1/2		2-11/32	1/2	2-1/2	12.5
48H200QD	\$ 145.20	48	7.639	7.585	7-7/8	SF	D1F	1/8	2	15/32	1/2		2-11/32	1/2	2-3/4	14.1
60H200QD	\$ 157.40	60	9.549	9.495		SF	D3	1/8	2	15/32	1/2		2-11/32	1/2	2-3/4	14.6
72H200QD	\$ 177.80	72	11.459	11.405		SF	D3	1/8	2	15/32	1/2		2-11/32	1/2	2-3/4	19.4
84H200QD	\$ 209.00	84	13.369	13.315		SF	D3	1/8	2	15/32	1/2		2-11/32	1/2	2-3/4	24.2
96H200QD	\$ 250.80	96	15.279	15.225		E	D3	3/8	2-5/8	3/32	1/2		2-11/32	7/8	3-7/16	32.0
120H200QD	\$ 337.40	120	19.099	19.045		E	D3	3/8	2-5/8	3/32	1/2		2-11/32	7/8	3-7/16	43.0
156H200QD	\$ 438.60	156	24.828	24.774		E	D3	1/8	2-5/8	1/8	5/8		2-1/2	7/8	3-7/16	64.0

*Bored to suit construction (Type M) minimum plain bore only carried in stock □ Weight shown is for pulley without bushing

"r" = Reverse mount only

** List Prices Shown are for Sheave Only. Refer to Page 15 for Bushing List Price and Dimensions.

• Maximum bore without keyway

1/2" pitch (H) stock pulley dimensions positive drive pulleys

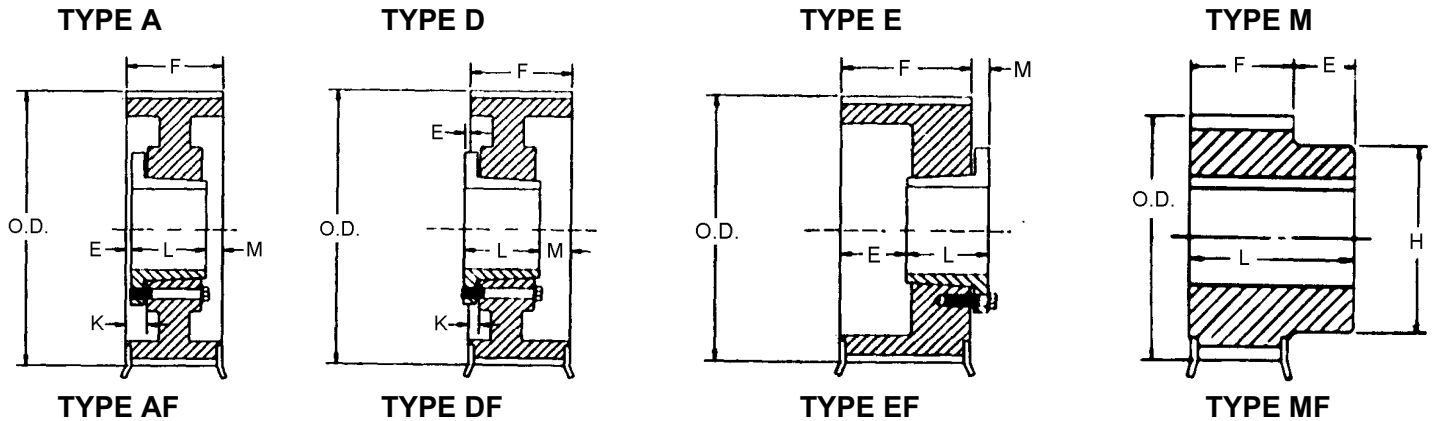
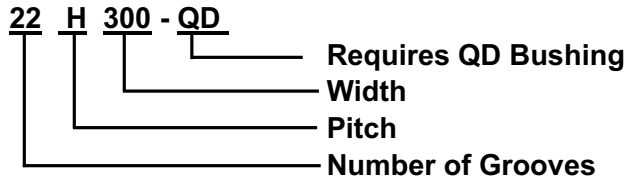


Figure Following Letter in Column Headed "TYPE" in Table Below Indicates Sheave Construction
 1 - Solid, No Web. 2 - Web. 3 - Arms "F" Indicates Flanged Pulley

Part Number Explanation



FOR BELTS 3 INCH WIDE • 1/2 INCH PITCH (H300)

Part Number	List** Price	Number of Grooves	Pitch Diameter	Outside Diameter		Bush	Type	Dimensions, Inches						Bore Range		Weight Lbs □ (Approx.)
				Pulley	Flange			E	L	M	K	H	F	Min	Max •	
16H300MPB	\$ 85.50	16	2.546	2.492	2-3/4	*	M1F	3/4	4-1/8			2	3-3/8	3/4	1-1/4	4.2
17H300MPB	\$ 87.80	17	2.706	2.652	3	*	M1F	3/4	4-1/8			2	3-3/8	3/4	1-1/4	4.3
18H300MPB	\$ 89.20	18	2.865	2.811	3-1/4	*	M1F	3/4	4-1/8			2-1/4	3-3/8	3/4	1-1/2	4.4
19H300MPB	\$ 98.60	19	3.024	2.970	3-1/4	*	M1F	7/8	4-1/4			2-1/4	3-3/8	3/4	1-9/16	5.0
20H300MPB	\$ 100.50	20	3.183	3.129	3-5/16	*	M1F	7/8	4-1/4			2-1/2	3-3/8	3/4	1-5/8	7.4
21H300MPB	\$ 106.10	21	3.342	3.288	3-9/16	*	M1F	15/16	4-15/16			2-1/2	3-3/8	1	1-5/8	8.2
22H300MPB	\$ 109.00	22	3.501	3.447	3-3/4	*	M1F	1	4-3/8			2-7/8	3-3/8	1-1/8	1-7/8	8.7
22H300QD	\$ 99.60	22	3.501	3.447	3-3/4	SDr	E1F	2-1/8	1-13/16	9/16			3-3/8	1/2	1-15/16	4.1
24H300MPB	\$ 113.70	24	3.820	3.766	4	*	M1F	1	4-3/8			3-1/8	3-3/8	1-1/8	2-1/8	10.0
24H300QD	\$ 106.40	24	3.820	3.766	4	SDr	E1F	2-1/8	1-13/16	9/16			3-3/8	1/2	1-15/16	4.1
26H300MPB	\$ 123.00	26	4.138	4.084	4-3/8	*	M1F	1-1/8	4-1/2			3-1/2	3-3/8	1-1/8	2-1/2	12.3
26H300QD	\$ 112.40	26	4.138	4.084	4-3/8	SD	A1F	1/16	1-13/16	1-1/2	5/8		3-3/8	1/2	1-15/16	5.0
28H300MPB	\$ 134.30	28	4.456	4.402	4-11/16	*	M1F	1-1/8	4-1/2			3-5/8	3-3/8	1-1/8	2-5/8	15.0
28H300QD	\$ 118.60	28	4.456	4.402	4-11/16	SD	A1F	1/16	1-13/16	1-1/2	5/8		3-3/8	1/2	1-15/16	6.0
30H300QD	\$ 125.40	30	4.775	4.721	5	SD	A1F	7/16	1-13/16	1-1/8	1		3-3/8	1/2	1-15/16	7.2
32H300QD	\$ 127.00	32	5.093	5.039	5-5/16	SK	A1F	3/8	1-7/8	1-1/8	1		3-3/8	1/2	2-1/2	8.4
36H300QD	\$ 128.60	36	5.730	5.678	5-61/64	SK	A1F	3/8	1-7/8	1-1/8	1		3-3/8	1/2	2-1/2	10.0
40H300QD	\$ 140.60	40	6.366	6.312	6-9/16	SK	A1F	3/8	1-7/8	1-1/8	1		3-3/8	1/2	2-1/2	12.2
44H300QD	\$ 154.80	44	7.003	6.953	7-1/4	SK	A1F	3/8	1-7/8	1-1/8	1		3-3/8	1/2	2-1/2	15.5
48H300QD	\$ 165.00	48	7.639	7.585	7-7/8	SF	A1F	3/8	2	1	1		3-3/8	1/2	2-3/4	16.6
60H300QD	\$ 189.20	60	9.549	9.495		SF	A3	3/8	2	1	1		3-3/8	1/2	2-3/4	17.9
72H300QD	\$ 212.00	72	11.459	11.405		SF	A3	3/8	2	1	1		3-3/8	1/2	2-3/4	23.5
84H300QD	\$ 250.00	84	13.369	13.315		SF	A3	3/8	2	1	1		3-3/8	1/2	2-3/4	29.0
96H300QD	\$ 311.60	96	15.279	15.225		E	D3	1/8	2-5/8	7/8	3/4		3-3/8	7/8	3-7/16	38.0
120H300QD	\$ 406.60	120	19.099	19.045		E	D3	1/8	2-5/8	7/8	3/4		3-3/8	7/8	3-7/16	51.0
156H300QD	\$ 501.60	156	24.828	24.774		E	D3	1/8	2-5/8	1	3/4		3-1/2	7/8	3-7/16	65.0

*Bored to suit construction (Type M) minimum plain bore only carried in stock □ Weight shown is for pulley without bushing
 "r" = Reverse mount only ** List Prices Shown are for Sheave Only. Refer to Page 15 for Bushing List Price and Dimensions.
 • Maximum bore without keyway